



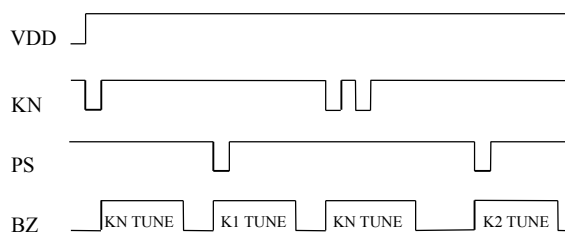
256 NOTES  
DUAL TONE

双音和弦 IC

MELODY	
M995	

### FEATURES 功能叙述

- 256 notes dual tone.
- PS : Sequence input.
- K1, K2, K3 : Song select.



### APPLICATION 产品应用

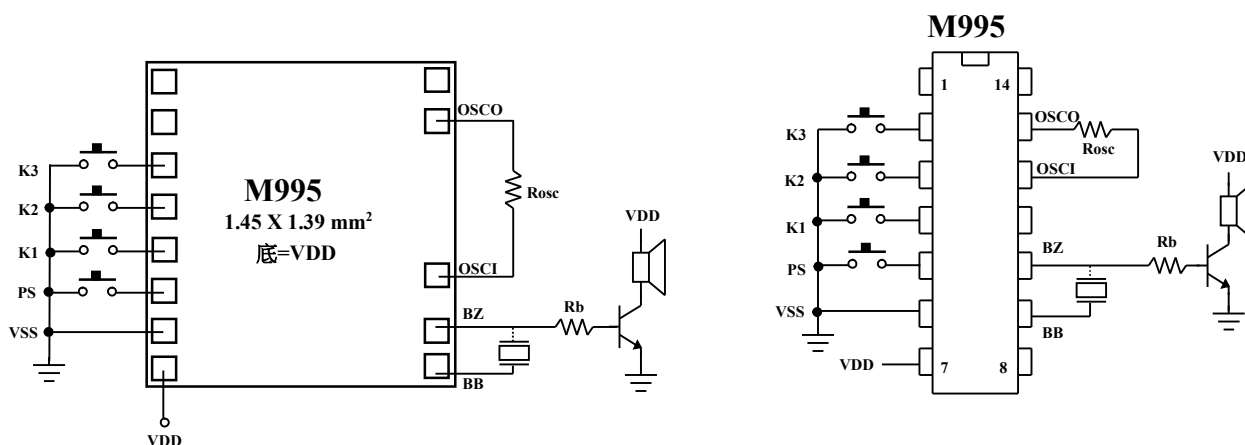
- Melody Toys, Musical instrument.

### ELECTRICAL CHARACTERISTICS 电气规格

( @V<sub>DD</sub>=3V unless otherwise specified )

Characteristics	Sym.	Min.	Typ.	Max.	Unit	REMARKS
工作电压 Operating Voltage	V <sub>DD</sub>	—	3	3.5	V	
工作电流 Operating Current	I <sub>OP</sub>	—	—	10	mA	No load
静态电流 Quiescent Current	I <sub>SB</sub>	—	1	5	μ A	
推动电流 BZ Driving Current	I <sub>O</sub>	1	—	—	mA	@V <sub>DS</sub> =1V
振荡频率 Oscillator Frequency	F <sub>OSC</sub>	—	100	—	KHz	External ±30%, R <sub>osc</sub> =240KΩ
		—	80	—	KHz	-DB、-DB2, R <sub>osc</sub> =300KΩ
工作温度 Operating Temperature	Temp.	0	25	60	C°	

### APPLICATION DIAGRAM 参考电路图



\*All specs and applications shown above subject to change without prior notice.

( 以上电路及规格仅供参考,本公司得径行修正 )



256 NOTES  
DUAL TONE

双音和弦 IC

MELODY	
M995	

**SONG LIST**

**M995-1**

1. LA REINE DEO SABA
2. FOR ALICE
3. MUSIC BOX DANCER

**M995-2**

1. JAPANESE LULLABY
2. BRAHMS LULLABY
3. ROCK-A-BY BABY

**M995-3**

1. DING DONG 2 TIMES
2. ALARM
3. FOR ALICE

**M995-4**

1. JINGLE BELLS
2. WE WISH YOU A MERRY XMAS
3. SANTA CLAUS IS COMING TO TOWN

**M995-5**

1. LONDON BRIDGE IS FALLING DOWN
2. MARY HAD A LITTLE LAMB
3. DOWN THE MOUNTAIN SIDE WE GO

**M995-6**

1. LOVE ME TENDER
2. IF YOU LOVE ME
3. I CAN'T STOP LOVING YOU

**M995-8**

1. A TIME FOR US
2. LOVE IS BLUE
3. ARE YOU LONESOME TONIGHT?

**M995-C1**

1. MARY HAD LITTLE LAMB
2. TWINKLE TWINKLE LITTLE STAR
3. BRAHMS LULLABY

**M995-DB**

1. WEST MINISTER
2. DING
3. DING DONG

**M995-DB2**

1. DING DONG
2. DING DING
3. WEST MINISTER

**M995-C13**

1. WEST MINISTER
2. DING DONG 2 TIMES
3. DING DANG DONG

**M995-C14**

1. DING DONG 2 TIMES
2. WEST MINISTER
3. FOR ALICE ( 14 SEC )

**M995-C15**

1. DING DONG 2 TIMES
2. WEST MINISTER
3. FOR ALICE ( 6 SEC )

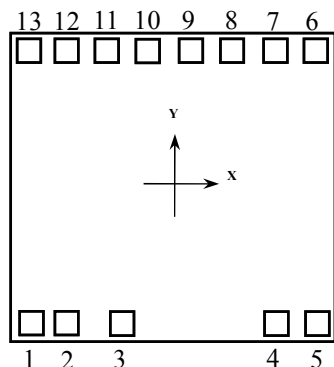


256 NOTES  
DUAL TONE

双音和弦 IC

MELODY	
M995	

**PAD ASSIGNMENT & POSITION**



UNIT : um

No.	NAME	X	Y
1	BB	-612	-581
2	BZ	-457	-581
3	OSCI	-218	-581
4	OSCO	441	-581
5	TEST	612	-581
6	TEST3	605	581
7	RETG	437	581
8	K3	250	581
9	K2	74	581
10	K1	-102	581
11	PS	-278	581
12	VSS	-455	581
13	VDD	-612	581

\* CHIP SIZE ~ 1.45 x 1.39 mm<sup>2</sup>

\* IC substrate should be connected to VDD in PCB (PCB 上 IC 必须接 VDD)

( 以上电路及规格仅供参考,本公司得径行修正 )



256 NOTES  
DUAL TONE

双音和弦 IC

MELODY	
M995	

PACKAGE OUTLINE

SYMBOLS	MIN.	NOM.	MAX.
A	0.058	0.064	0.068
A1	0.004	—	0.010
B	0.013	0.016	0.020
C	0.0075	0.008	0.0098
D	0.336	0.341	0.344
E	0.150	0.154	0.157
e	—	0.050	—
H	0.228	0.236	0.244
L	0.015	0.025	0.050
$\theta^\circ$	0°	—	8°

UNIT : INCH

**SOP-14**  
**( 150 mil )**

SYMBOLS	MIN.	NOM.	MAX.
A	—	—	0.210
A1	0.015	—	—
A2	0.125	0.130	0.135
D	0.735	0.750	0.775
E	0.300 BSC.		
E1	0.245	0.250	0.255
L	0.115	0.130	0.150
e	0.335	0.355	0.375
$\theta$	0	7	15

UNIT : INCH

**DIP-14**  
**( 300 mil )**