



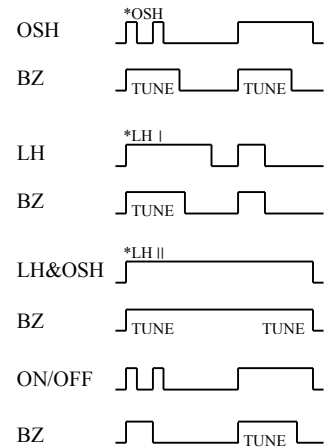
M9130 Int. Rosc
M9131 Ext. Rosc
CDS, OSH & ON/OFF

M9130 内建振荡
M9131 可调频率
128 音符音乐 IC

MELODY	
M9130/M9131	

FEATURES 功能叙述

- Separate LED and BUZZER driver.
- MODE : ONE-SHOT
LEVEL-HOLD 1
LEVEL-HOLD 2
ON/OFF (Suffix-X)



APPLICATION 产品应用

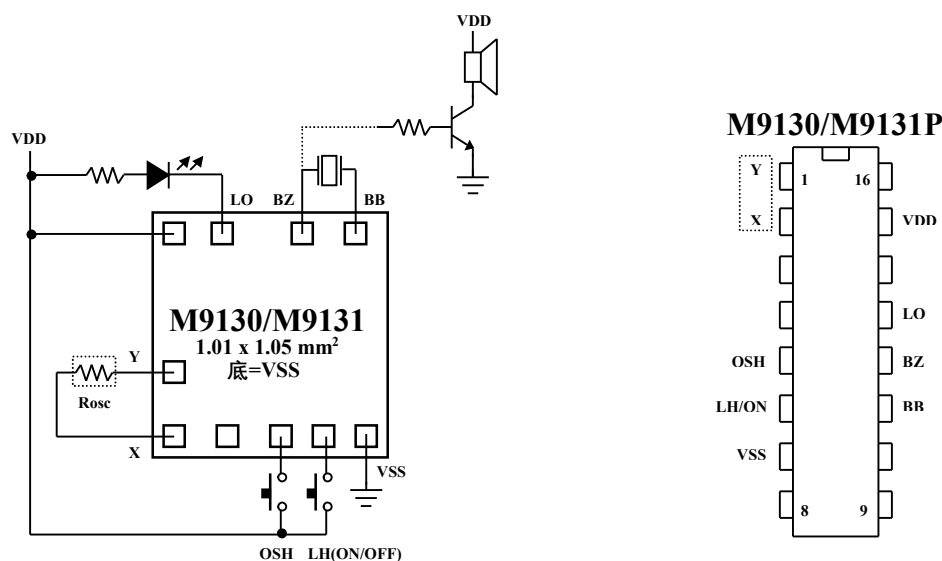
- Toys, Key chain etc.

ELECTRICAL CHARACTERISTICS 电气规格

(@V_{DD}=1.5V unless otherwise specified)

Characteristics	Sym.	Min.	Typ.	Max.	Unit	REMARKS
工作电压 Operating Voltage	V _{DD}	—	1.5	3.5	V	
工作电流 Operating Current	I _{OP}	—	0.1	0.5	mA	No load
静态电流 Quiescent Current	I _{SB}	—	1	5	μ A	
推动电流 BZ Driving Current	I _O	1	—	—	mA	@V _{DS} =1V
推动电流 LO Driving Current	I _{OL}	6	—	—	mA	@V _{DS} =1.2V
振荡频率 Oscillator Frequency	F _{OSC}	—	100	—	KHz	External ±30%, Rosc=200KΩ
工作温度 Operating Temperature	Temp.	0	25	60	°C	

APPLICATION DIAGRAM 参考电路图



*All specs and applications shown above subject to change without prior notice.
(以上电路及规格仅供参考,本公司得径行修正)

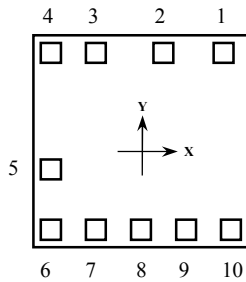


M9130 Int. Rosc
M9131 Ext. Rosc
CDS, OSH & ON/OFF

M9130 内建振荡
M9131 可调频率
128 音符音乐 IC

MELODY	
M9130/M9131	

PAD ASSIGNMENT & POSITION



UNIT : um

No.	NAME	X	Y
1	BB	295	345
2	BZ	49	345
3	LO	-181	345
4	VDD	-361	345
5	Y	-361	-159
6	X	-338	-385
7	TE	-163	-385
8	OSH	12	-385
9	LH/ON	187	-385
10	VSS	362	-350

* CHIP SIZE ~ 1.01 x 1.05 mm²

* IC substrate should be connected to VSS in PCB (PCB 上 IC 必须接 VSS)
(以上电路及规格仅供参考,本公司得径行修正)