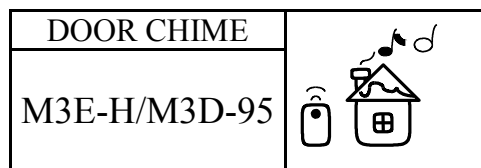




3 STATE DUAL TONES
WIRELESS DOOR BELL

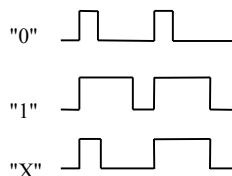
3 態雙音
遙控門鈴 IC



FEATURES 功能敘述

- Direct Data Transmit (Switch to VDD).
- $3^8 = 6561$ security codes.
- 3 door chime sound and 1 melody.
- VT : valid transmission active high.

BIT FORMAT



KEY SOUND

D0	Ding Dong - Ding Dong
D1	Ding Ding - Ding Ding
D2	WEST MINISTER
D3	For Alice

APPLICATION 產品應用

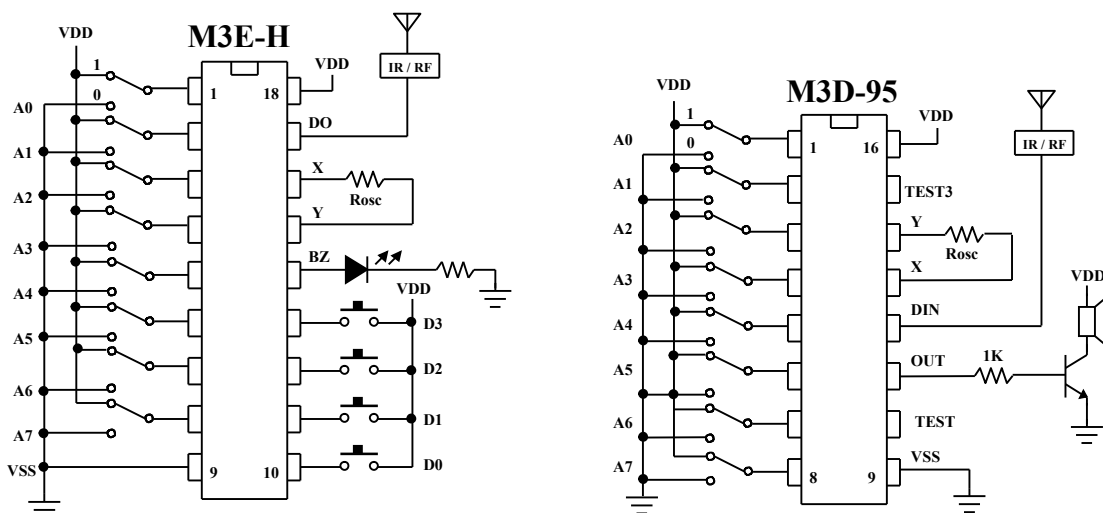
- Door bell system. 門鈴系統.

ELECTRICAL CHARACTERISTICS 電氣規格

(@V_{DD}=4.5V unless otherwise specified)

Characteristics	Sym.	Min.	Typ.	Max.	Unit	REMARKS
工作電壓 Operating Voltage	V _{DD}	2.4	—	13	V	M3E,-H
		2.4	4.5	5		M3D-95
工作電流 Operating Current	I _{OP}	—	0.3	1	mA	No load M3E-H
		—	—	10		No load M3D-95
靜態電流 Quiescent Current	I _{SB}	—	1	10	μA	
推動電流 Driving Current	I _{OL}	1	—	—	mA	@V _{DS} =1.2V
振盪頻率 Oscillator Frequency	F _{OSC}	—	76	—	KHz	M3E-H : External±30%, Rosc=360KΩ
		—	80	—		M3D-95 : External±30%, Rosc=240KΩ
工作溫度 Operating Temperature	Temp.	0	25	60	°C	

APPLICATION DIAGRAM 參考電路圖



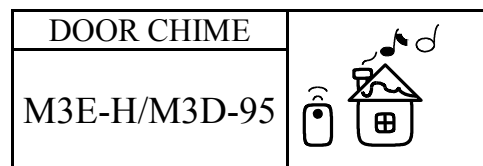
* All specs and applications shown above subject to change without prior notice.

(以上電路及規格僅供參考,本公司得逕行修正)

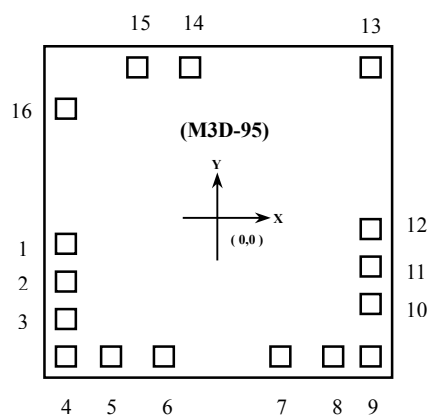


3 STATE DUAL TONES
WIRELESS DOOR BELL

3 態 雙 音
遙 控 門 鈴 IC



ASSIGNMENT & POSITION



UNIT : um

No.	NAME	X	Y
1	TEST3	-626.75	-130
2	VDD	-626.75	-290
3	A0	-626.75	-450
4	A1	-626.75	-610
5	A2	-442.75	-610
6	A3	-227.75	-610
7	A4	252	-610
8	A5	467	-610
9	A6	627	-610
10	A7	627	-395
11	VSS	627	-235
12	TEST	627	-75
13	BZ	627	604
14	DIN	-108	604
15	OSC1	-323.75	604
16	OSC2	-626.75	434.5

* CHIP SIZE ~ 1.5 x 1.46 mm²

* IC substrate should be connected to VDD in PCB (PCB 上 IC 必須接 VDD)



3 STATE DUAL TONES
WIRELESS DOOR BELL

3 態雙音
遙控門鈴 IC

DOOR CHIME	
M3E-H/M3D-95	

M3D-95 PACKAGE OUTLINE

