



OSH, LH
Melody With 2 LEDs

音乐 IC + 2 LED

MELODY	
M132D	

FEATURES 功能叙述

- OSH : One-shot, Non-retrigger.
- LH : Level-hold, Non-retrigger.
- LED : 互闪 (ASYNC) ; L1→L2→L1随着每个音符闪
- Mode (参阅下图, “TUNE”为一首歌曲的时间)
 1. OSH = 按 OSH Key 歌曲唱完一次结束,若 OSH Key 一直接着歌曲唱完一次仍然结束.
 2. LH1 = 按 LH Key 放掉歌曲马上结束,若 LH Key 一直接着,歌曲唱完一次仍然结束.
 3. LH2 = 按 OSH +LH Key,按多久唱多久,歌曲唱完一次后歌曲从头继续唱(Repeat), 直到 OSH +LH Key 放掉马上结束.
- Separate LED and Buzzer driver.

APPLICATION 产品应用

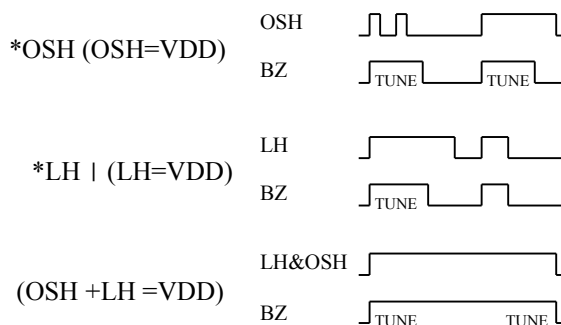
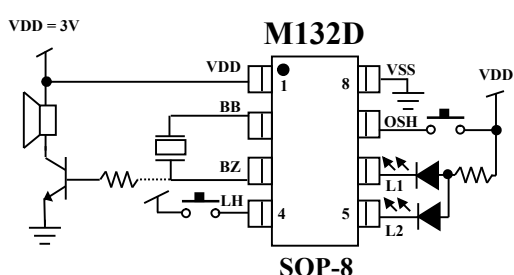
- Melody Toys.

ELECTRICAL CHARACTERISTICS 电气规格

(@V_{DD}=3V unless otherwise specified)

Characteristics	Sym.	Min.	Typ.	Max.	Unit	REMARKS
工作电压 Operating Voltage	V _{DD}	—	3	4.5	V	
工作电流 Operating Current	I _{OP}	—	0.1	0.5	mA	No load
静态电流 Quiescent Current	I _{SB}	—	1	5	μ A	
推动电流 BZ Driving Current	I _O	1	—	—	mA	@V _{DS} =1V
振荡频率 Oscillator Frequency	F _{OSC}	—	4	—	MHz	internal RC oscillator
工作温度 Operating Temperature	Temp.	0	25	60	C°	

APPLICATION DIAGRAM 参考电路图



*All specs and applications shown above subject to change without prior notice.

(以上电路及规格仅供参考,本公司得径行修正)

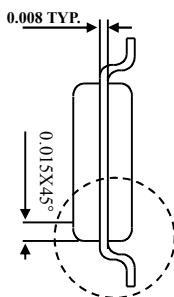
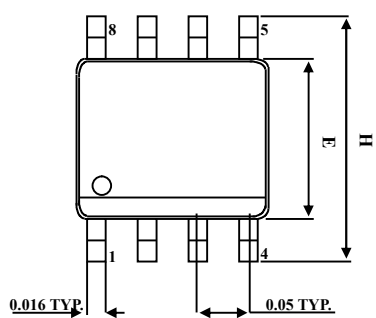


OSH, LH
Melody With 2 LEDs

音乐 IC + 2 LED

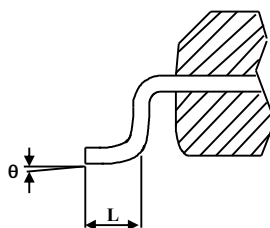
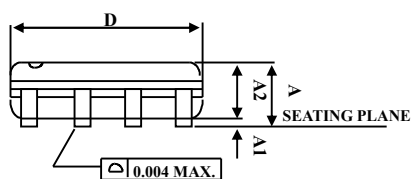
MELODY	
M132D	

PACKAGE OUTLINE



SYMBOLS	MIN	MAX
A	0.053	0.069
A1	0.004	0.010
A2		0.059
D	0.189	0.196
E	0.150	0.157
H	0.228	0.244
L	0.016	0.050
θ	0	8

Unit : INCH



SOP-8