



OSH, LH
Melody With 2 LEDs

音樂 IC + 2 LED

MELODY	
M132D	

FEATURES 功能敘述

- OSH : One-shot, Non-retrigger.
- LH : Level-hold, Non-retrigger.
- LED : 互閃 (ASYNC) ; L1→L2→L1隨著每個音符閃
- Mode (參閱下圖, “TUNE”為一首歌曲的時間)
 1. OSH = 按 OSH Key 歌曲唱完一次結束,若 OSH Key 一直按著歌曲唱完一次仍然結束.
 2. LH1 = 按 LH Key 放掉歌曲馬上結束,若 LH Key 一直按著,歌曲唱完一次仍然結束.
 3. LH2 = 按 OSH +LH Key,按多久唱多久,歌曲唱完一次後歌曲從頭繼續唱(Repeat), 直到 OSH +LH Key 放掉馬上結束.
- Separate LED and Buzzer driver.

APPLICATION 產品應用

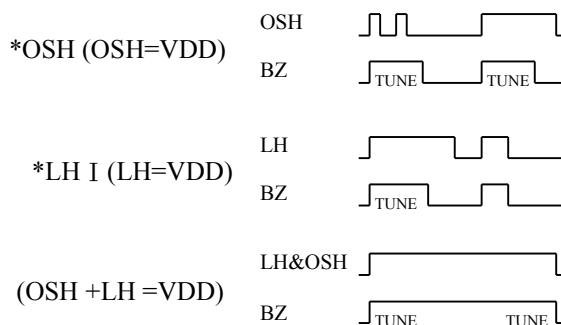
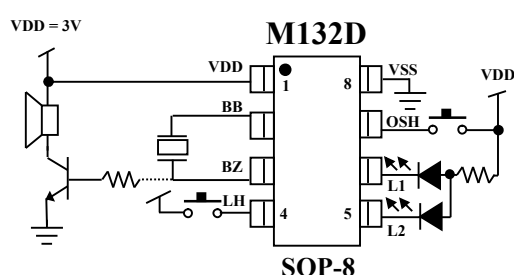
- Melody Toys.

ELECTRICAL CHARACTERISTICS 電氣規格

(@V_{DD}=3V unless otherwise specified)

Characteristics	Sym.	Min.	Typ.	Max.	Unit	REMARKS
工作電壓 Operating Voltage	V _{DD}	—	3	4.5	V	
工作電流 Operating Current	I _{OP}	—	0.1	0.5	mA	No load
靜態電流 Quiescent Current	I _{SB}	—	1	5	μA	
推動電流 BZ Driving Current	I _O	1	—	—	mA	@V _{DS} =1V
振盪頻率 Oscillator Frequency	F _{OSC}	—	4	—	MHz	internal RC oscillator
工作溫度 Operating Temperature	Temp.	0	25	60	°C	

APPLICATION DIAGRAM 參考電路圖



*All specs and applications shown above subject to change without prior notice.

(以上電路及規格僅供參考,本公司得逕行修正)

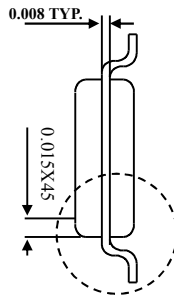
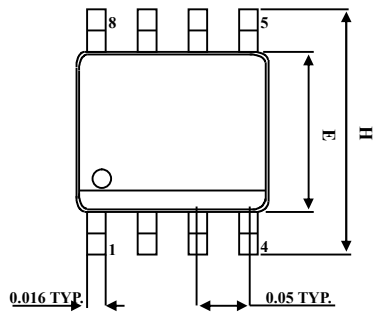


OSH, LH
Melody With 2 LEDs

音樂 IC + 2 LED

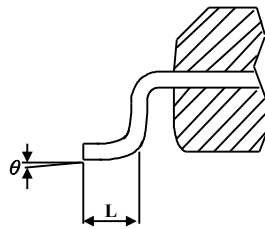
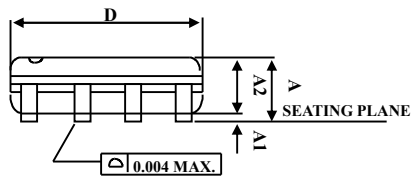
MELODY	
M132D	

PACKAGE OUTLINE



SYMBOLS	MIN	MAX
A	0.053	0.069
A1	0.004	0.010
A2		0.059
D	0.189	0.196
E	0.150	0.157
H	0.228	0.244
L	0.016	0.050
θ	0	8

Unit : INCH



SOP-8