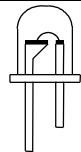




4 FUNCTIONS
5 LED FLASH IC

四段功能
5 LED 閃爍 IC

LED FLASH	
M1511	

FEATURES 功能敘述

- Built-in / Ext.Rosc (Default : Built-in).
- 1 key operation.
- Operation mode : 4 modes.

P/N	第一段	第二段	第三段	第四段
M1511-1	OFF	全閃(2Hz)	全閃(4Hz)	全亮
M1511-3	OFF	全亮	全減	對閃(4Hz)
M1511-4	OFF	全亮	全減	全閃(8Hz)
M1511-5	OFF	全亮	對閃(6Hz)	來回閃(2.5Hz)

APPLICATION 產品應用

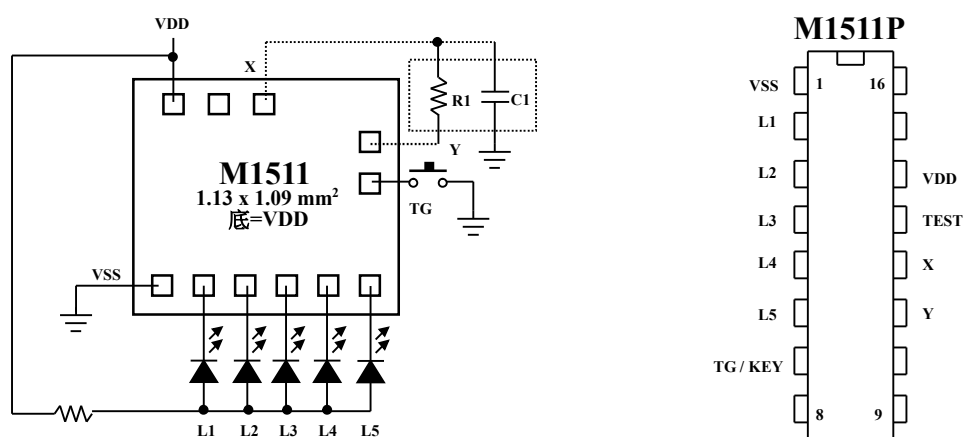
- Disco broaches, Blinking LED, Shoe IC etc..

ELECTRICAL CHARACTERISTICS 電氣規格

(@V_{DD}=3V unless otherwise specified)

Characteristics	Sym.	Min.	Typ.	Max.	Unit	REMARKS
工作電壓 Operating Voltage	V _{DD}	—	3	5	V	
工作電流 Operating Current	I _{OP}	—	0.1	0.5	mA	No load
靜態電流 Quiescent Current	I _{SB}	—	1	5	μA	
推動電流 Driving Current	I _{OL}	20	—	—	mA	@V _{DS} =1.2V
振盪頻率 Oscillator Frequency	F _{OSC}	—	64	—	KHz	±30% TOL.
工作溫度 Operating Temperature	Temp.	0	25	60	°C	

APPLICATION DIAGRAM 參考電路圖



* External C1 : decrease the Fosc.

* External R1 : increase the Fosc.

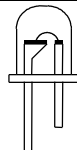
*All specs and applications shown above subject to change without prior notice.

(以上電路及規格僅供參考,本公司得逕行修正)

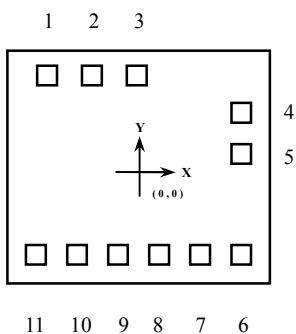


4 FUNCTIONS
5 LED FLASH IC

四段功能
5 LED 閃爍 IC

LED FLASH	
M1511	

PAD ASSIGNMENT & POSITION



UNIT : um

No.	NAME	X	Y
1	VDD	-336	360
2	TEST	-163	360
3	X (OSC1)	12	360
4	Y (OSC2)	412	214
5	TG	412	44
6	L5	407	-360
7	L4	243	-360
8	L3	79	-360
9	L2	-84	-360
10	L1	-248	-360
11	VSS	-412	-360

* CHIP SIZE ~ 1.13 x 1.09 mm²

* IC substrate should be connected to VDD in PCB (PCB 上 IC 必須接 VDD)