



AC Application
SYNC RGB LED IC

用於 AC 應用
同步三色燈 LED IC

LED FLASH	
M1358	

FEATURES 功能敘述

- Constant sink current of 20mA per LED outputs.
- Outputs directly drive LEDs.
- Power-on while automatic synchronous an LEDs.

APPLICATION 產品應用

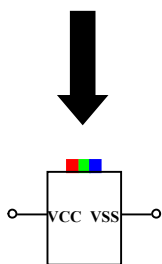
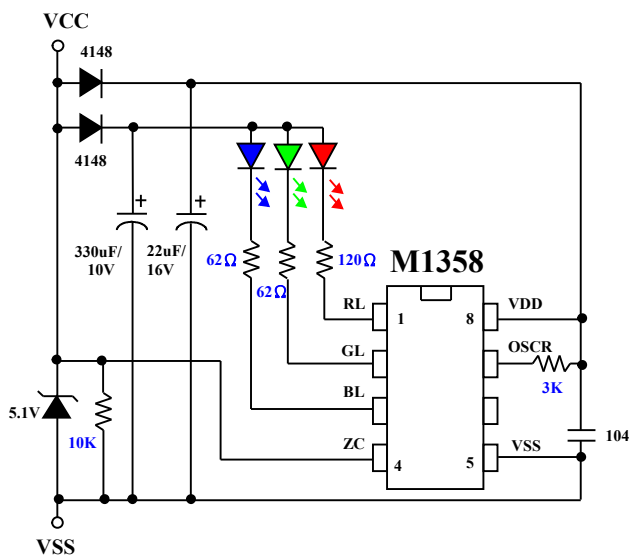
- LED color mixer lamp etc..

ELECTRICAL CHARACTERISTICS 電氣規格

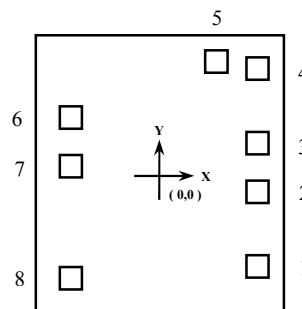
(@V_{DD}=4.5V unless otherwise specified)

Characteristics	Sym.	Min.	Typ.	Max.	Unit	REMARKS
工作電壓 Operating Voltage	V _{DD}	2.4	4.5	6	V	
工作電流 Operating Current	I _{OP}	—	0.5	—	mA	No load
推動電流 Driving Sink Current	I _{OL}	15	—	—	mA	@V _{DS} = 1.2V
推動電流 Driving Source Current	I _{Oh}	20	—	—	mA	@V _{SD} = 1.2V
振盪頻率 Oscillator Frequency	F _{LED}	—	6.0	—	MHz	±30% TOL. Rose=3KΩ
工作溫度 Operating Temperature	Temp.	0	25	70	°C	

APPLICATION DIAGRAM 參考電路圖



*** PAD ASSIGNMENT & POSITION**



UNIT : um

No.	NAME	X	Y
1	RL	440.3	-440.6
2	GL	440.3	-113.0
3	BL	440.3	110.2
4	ZC	440.3	437.8
5	VSS	254.9	472.6
6	TCK	-399.8	233.8
7	OSCR	-399.8	-1.8
8	VDD	-395.2	-490.5

* CHIP SIZE ~ 1.12 x 1.23 mm²

* IC substrate should be connected to VSS in PCB
(PCB 上 IC 必須接 VSS)

*All specs and applications shown above subject to change without prior notice.
(以上電路及規格僅供參考,本公司得逕行修正)



東楠科技股份有限公司
Tungnan Technology Co., Ltd.

“patented (已獲專利保護)”

TEL : 886-2- 22783733
FAX : 886-2- 22783633

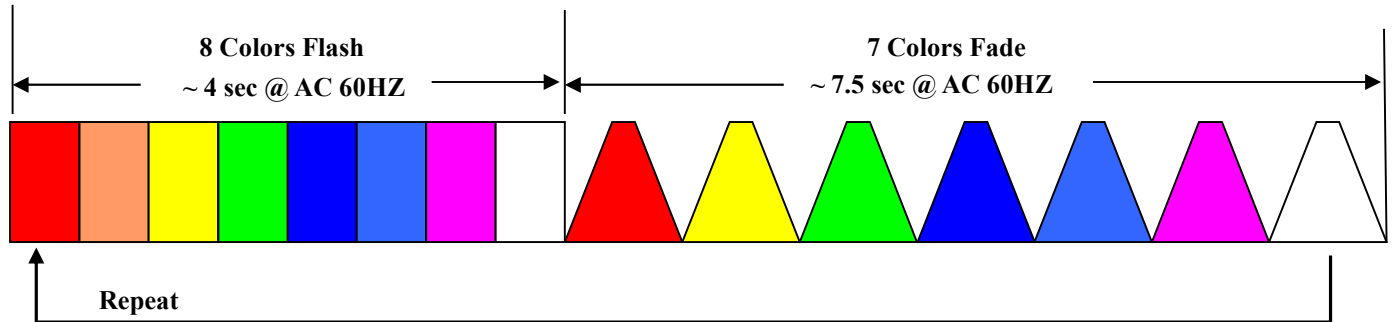
AC Application
SYNC RGB LED IC

用於 AC 應用
同步三色燈 LED IC

LED FLASH	
M1358	

PATTERN 閃爍變化示意圖

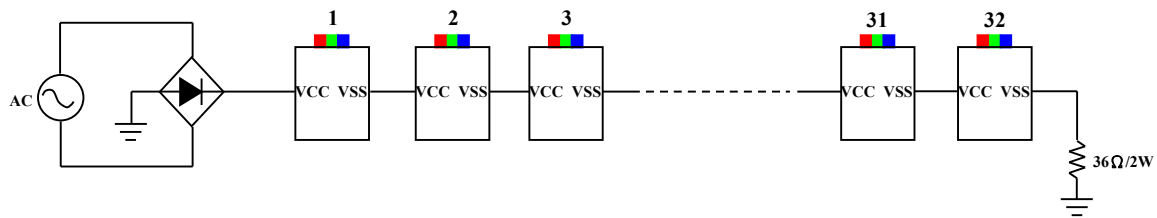
M1358 : 8 Color Flash + 7 Color Fade (同步同色跳閃+七彩漸明漸暗)



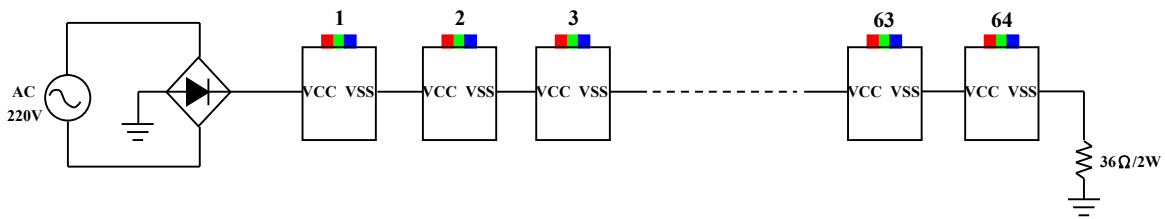
APPLICATION DIAGRAM 參考電路圖

* FOR AC Xmas Light controller

A : AC 110V



B : AC 220V



*All specs and applications shown above subject to change without prior notice.
(以上電路及規格僅供參考,本公司得逕行修正)



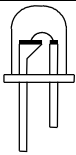
東楠科技股份有限公司
Tungnan Technology Co., Ltd.

“patented (已獲專利保護)”

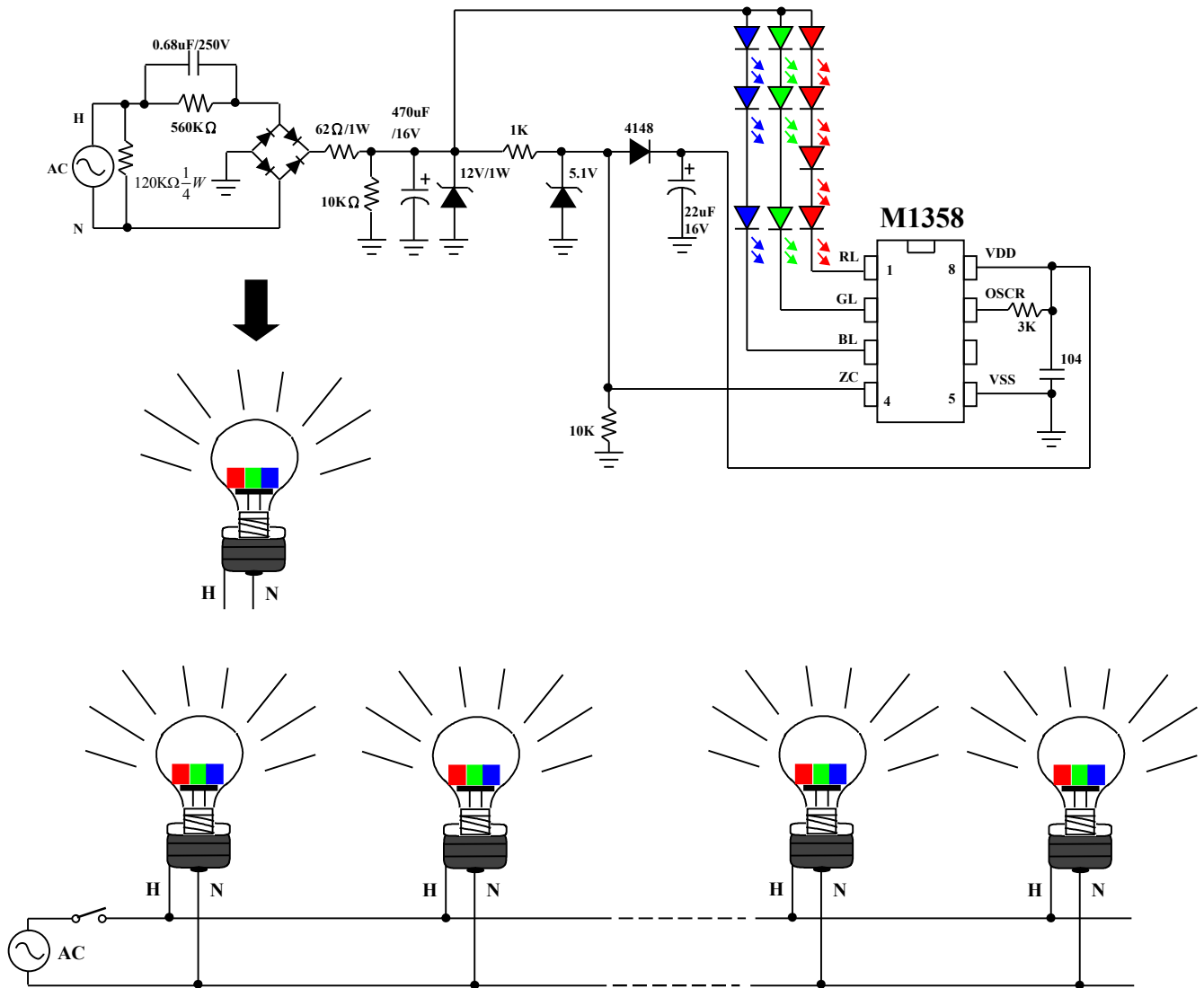
TEL: 886-2-22783733
FAX: 886-2-22783633

AC Application
SYNC RGB LED IC

用於 AC 應用
同步三色燈 LED IC

LED FLASH	
M1358	

* FOR AC Light controller



*All specs and applications shown above subject to change without prior notice.
(以上電路及規格僅供參考,本公司得逕行修正)