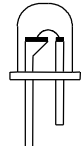




4 FUNCTIONS  
SYNC RGB LED IC (Source)

按键 4 功能  
同步三色灯 LED IC

LED FLASH	
M1354	

### FEATURES 功能叙述

- Minimum external component (without limit current resister).
- TG : function selection pin & synchronous pin , Push switch  $\geq 2$ sec power off.
- Auto-shut off LED output once time-out ; default 12 hours LED OFF.
- LED : Source output (PN Junction LED).
- Easy assemble on LED frame.

MODE	FUNCTIONS
1	1/2 Phase
2	七彩渐明渐暗
3	七彩变化
4	多彩变化

### APPLICATION 产品应用

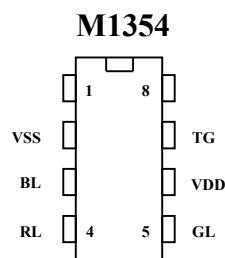
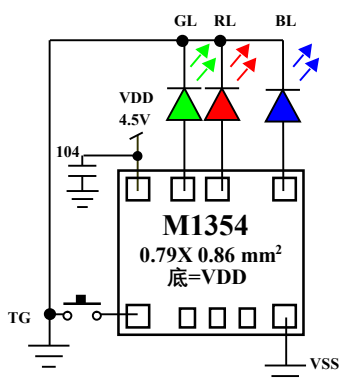
- Blinking LED, Function indicator, R.G.B Mix etc..

### ELECTRICAL CHARACTERISTICS 电气规格

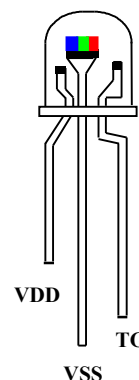
( @V<sub>DD</sub>=4.5V unless otherwise specified )

Characteristics	Sym.	Min.	Typ.	Max.	Unit	REMARKS
工作电压 Operating Voltage	V <sub>DD</sub>	—	4.5	5.5	V	
工作电流 Operating Current	I <sub>OP</sub>	—	0.1	0.5	mA	No load
推动电流 Driving Current	I <sub>OL</sub>	20	—	—	mA	@V <sub>f</sub> = 1.9V, RL
		20	—	—	mA	@V <sub>f</sub> = 3.5V, GL , BL
振荡频率 Oscillator Frequency	F <sub>OSC</sub>	—	100	—	KHz	$\pm 30\%$ TOL.
工作温度 Operating Temperature	Temp.	0	25	60	C°	

### APPLICATION DIAGRAM 参考电路图



### M1354-L3

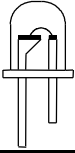


\*All specs and applications shown above subject to change without prior notice.  
( 以上电路及规格仅供参考,本公司得径行修正 )

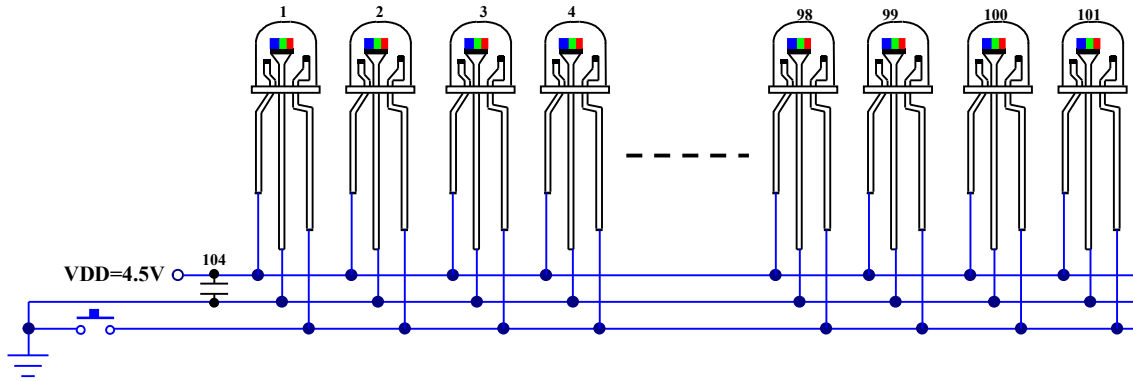


4 FUNCTIONS  
SYNC RGB LED IC (Source)

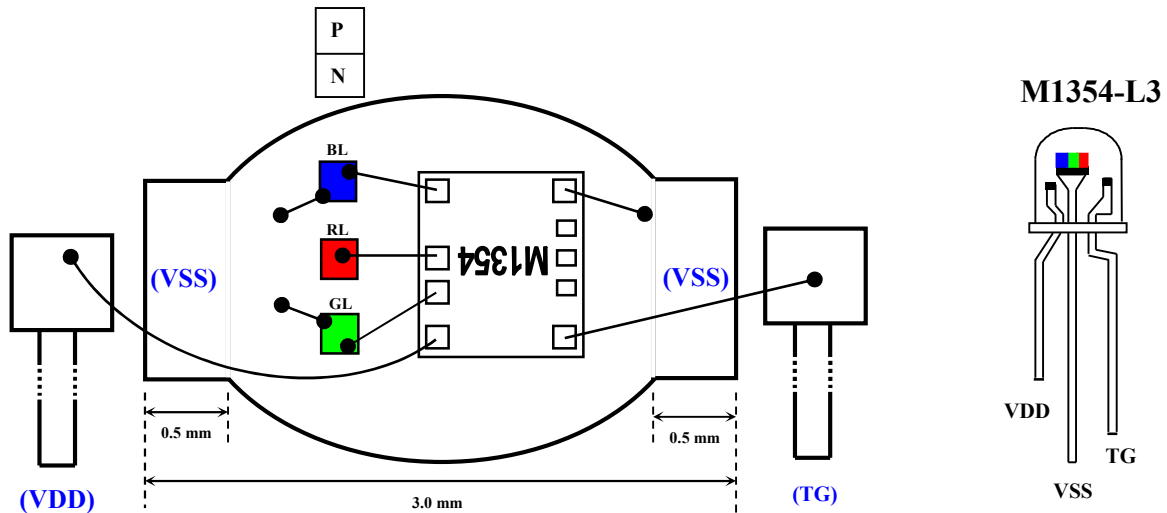
按键 4 功能  
同步三色灯 LED IC

LED FLASH	
M1354	

APPLICATION CIRCUIT FOR SYNCHRONOUS LED STRING

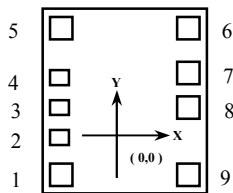


3 PIN LED LAMP BONDING DIAGRAM



Note: IC substrate should be isolation on lead frame

PAD ASSIGNMENT & POSITION



UNIT : um

No.	NAME	X	Y
1	VSS	-280.00	-316.40
2	OSC1	-290.00	-150.90
3	T7SEC	-290.00	-20.90
4	T1	-290.00	109.10
5	TG	-280.00	316.40
6	VDD	279.80	316.40
7	GL	279.80	107.10
8	RL	279.80	-42.90
9	BL	279.80	-316.40

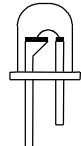
\* CHIP SIZE ~ 0.79 X 0.86 mm<sup>2</sup>

\* IC substrate should be connected to VDD in PCB (PCB 上 IC 必须接 VDD)



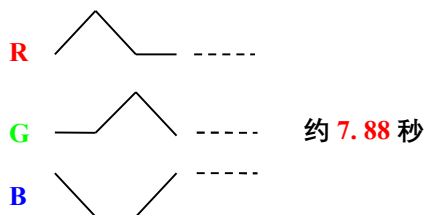
4 FUNCTIONS  
SYNC RGB LED IC (Source)

按键 4 功能  
同步三色灯 LED IC

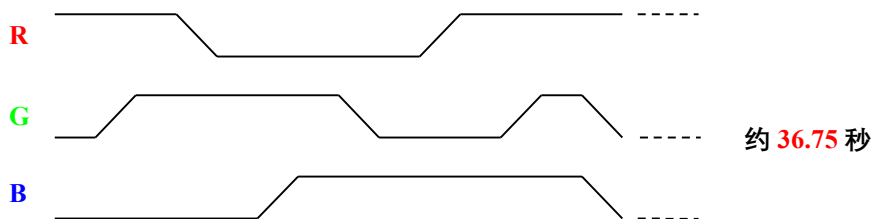
LED FLASH	
M1354	

**PATTERN (变化示意图)**

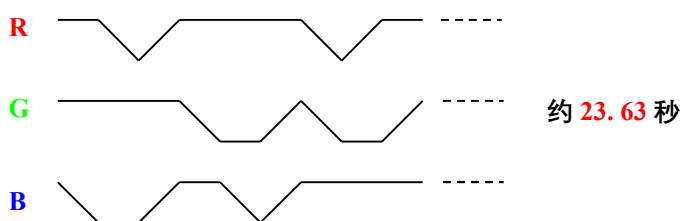
**\* SECTION 1 : 1/2 PHASE**



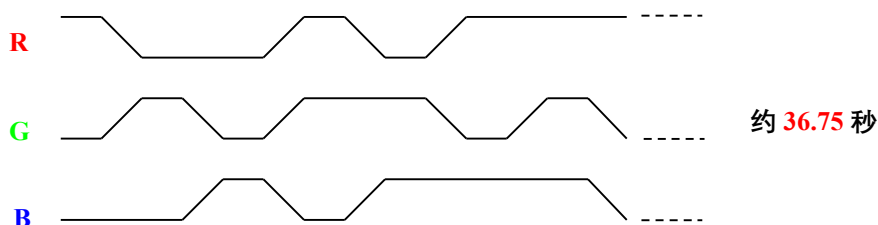
**\* SECTION 2 : 七彩主色变化**



**\* SECTION 3 : 七彩变化**



**\* SECTION 4 : 七彩交错渐明渐暗**



\*All specs and applications shown above subject to change without prior notice.  
( 以上电路及规格仅供参考,本公司得径行修正 )