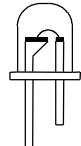




4 FUNCTIONS
SYNC RGB LED IC (Source)

按鍵 4 功能
同步三色燈 LED IC

| | |
|-----------|---|
| LED FLASH |  |
| M1354 | |

FEATURES 功能敘述

- Minimum external component (without limit current resister).
- TG : function selection pin & synchronous pin , Push switch ≥ 2 sec power off.
- Auto-shut off LED output once time-out ; default 12 hours LED OFF.
- LED : Source output (PN Junction LED).
- Easy assemble on LED frame.

| MODE | FUNCTIONS |
|------|-----------|
| 1 | 1/2 Phase |
| 2 | 七彩漸明漸暗 |
| 3 | 七彩變化 |
| 4 | 多彩變化 |

APPLICATION 產品應用

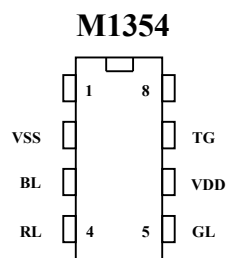
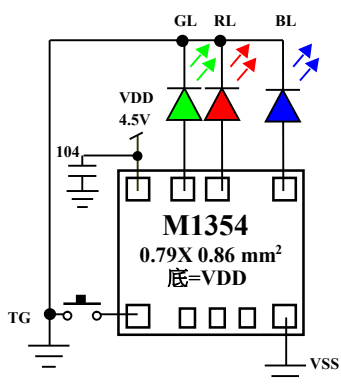
- Blinking LED, Function indicator, R.G.B Mix etc..

ELECTRICAL CHARACTERISTICS 電氣規格

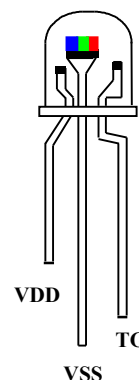
(@V_{DD}=4.5V unless otherwise specified)

| Characteristics | Sym. | Min. | Typ. | Max. | Unit | REMARKS |
|----------------------------|------------------|------|------|------|------|---------------------------------|
| 工作電壓 Operating Voltage | V _{DD} | — | 4.5 | 5.5 | V | |
| 工作電流 Operating Current | I _{OP} | — | 0.1 | 0.5 | mA | No load |
| 推動電流 Driving Current | I _{OL} | 20 | — | — | mA | @V _f = 1.9V, RL |
| | | 20 | — | — | mA | @V _f = 3.5V, GL , BL |
| 振盪頻率 Oscillator Frequency | F _{OSC} | — | 100 | — | KHz | $\pm 30\%$ TOL. |
| 工作溫度 Operating Temperature | Temp. | 0 | 25 | 60 | °C | |

APPLICATION DIAGRAM 參考電路圖



M1354-L3

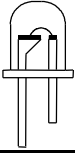


*All specs and applications shown above subject to change without prior notice.
(以上電路及規格僅供參考,本公司得逕行修正)

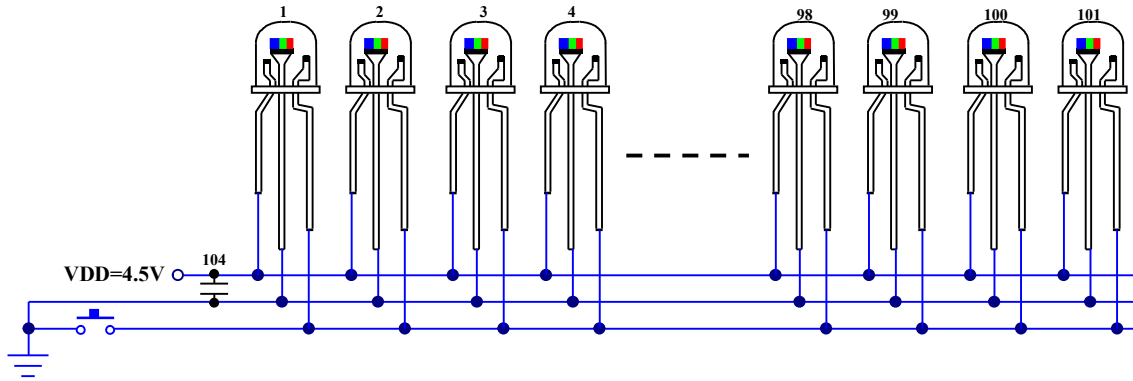


4 FUNCTIONS
SYNC RGB LED IC (Source)

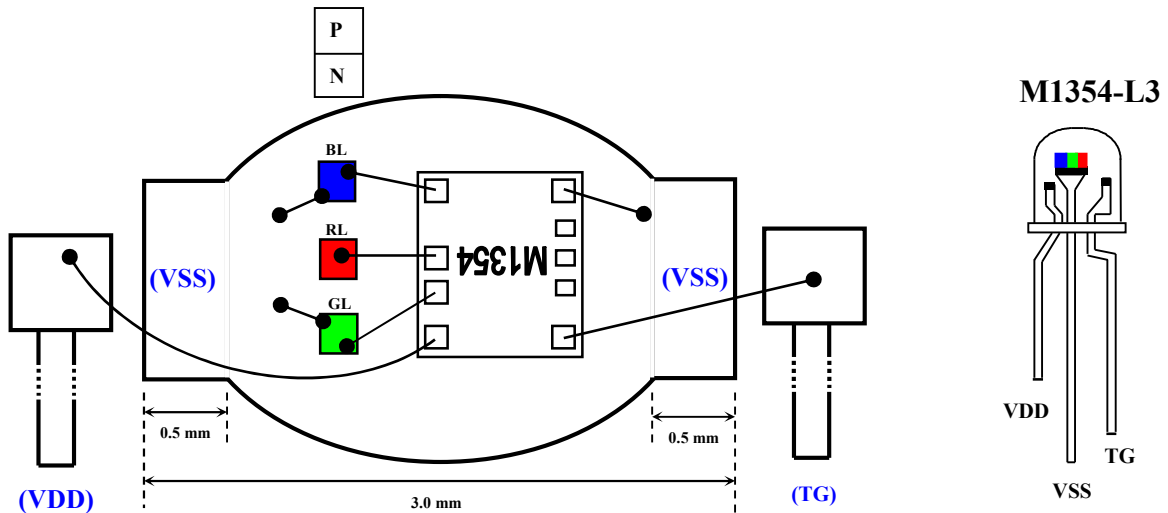
按鍵 4 功能
同步三色燈 LED IC

| | |
|-----------|---|
| LED FLASH |  |
| M1354 | |

APPLICATION CIRCUIT FOR SYNCHRONOUS LED STRING

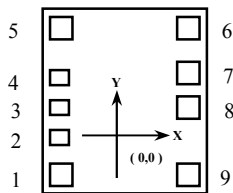


3 PIN LED LAMP BONDING DIAGRAM



Note: IC substrate should be isolation on lead frame

PAD ASSIGNMENT & POSITION



UNIT : um

| No. | NAME | X | Y |
|-----|-------|---------|---------|
| 1 | VSS | -280.00 | -316.40 |
| 2 | OSC1 | -290.00 | -150.90 |
| 3 | T7SEC | -290.00 | -20.90 |
| 4 | T1 | -290.00 | 109.10 |
| 5 | TG | -280.00 | 316.40 |
| 6 | VDD | 279.80 | 316.40 |
| 7 | GL | 279.80 | 107.10 |
| 8 | RL | 279.80 | -42.90 |
| 9 | BL | 279.80 | -316.40 |

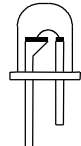
* CHIP SIZE ~ 0.79 X 0.86 mm²

* IC substrate should be connected to VDD in PCB (PCB 上 IC 必須接 VDD)



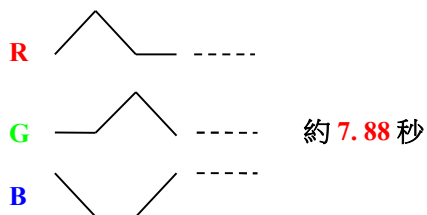
4 FUNCTIONS
SYNC RGB LED IC (Source)

按鍵 4 功能
同步三色燈 LED IC

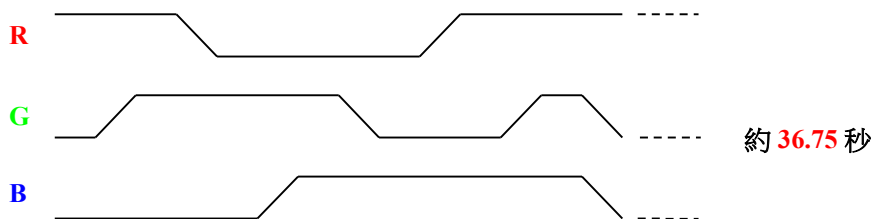
| | |
|-----------|---|
| LED FLASH |  |
| M1354 | |

PATTERN (變化示意圖)

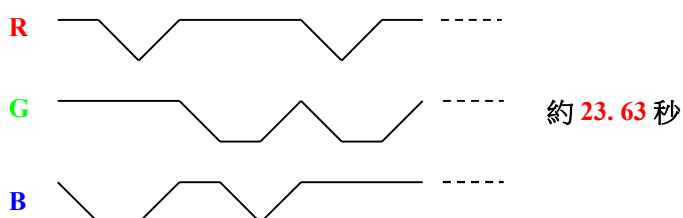
*** SECTION 1 : 1/2 PHASE**



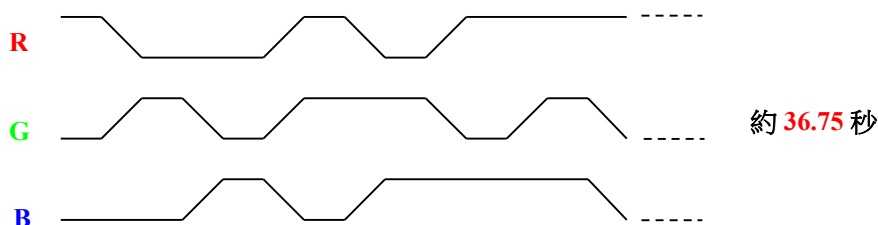
*** SECTION 2 : 七彩主色變化**



*** SECTION 3 : 七彩變化**



*** SECTION 4 : 七彩交錯漸明漸暗**



*All specs and applications shown above subject to change without prior notice.
(以上電路及規格僅供參考,本公司得逕行修正)