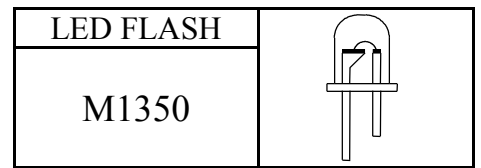




SYNC  
RGB LED IC

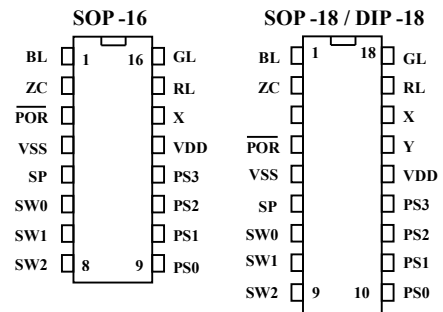
同步  
三色灯 LED IC



### FEATURES 功能叙述

- SW0 ~ SW2 : 8 start address (8 灯起始色选择).
- PS0 ~ PS3 : 4 options control independent pattern (4 种变化选择).
- SP : Speed select (速度选择).  
SP=OPEN : 快速.  
SP=VSS : 慢速.
- Power-on while automatic synchronous an LEDs.
- Can be cascaded in daisy chain fashion in wave of the different color.

P/N	起始地址	FUNCTION
M1350A	8 种	同步同色跳闪+同步同色顺序跳闪+同步同色反向跳闪+七彩渐明渐暗
M1350B	8 种	同步同色跳闪+同步 8 色顺序跳闪+同步 8 色反向跳闪+七彩渐明渐暗(飘)



### APPLICATION 产品应用

- LED color mixer lamp etc..

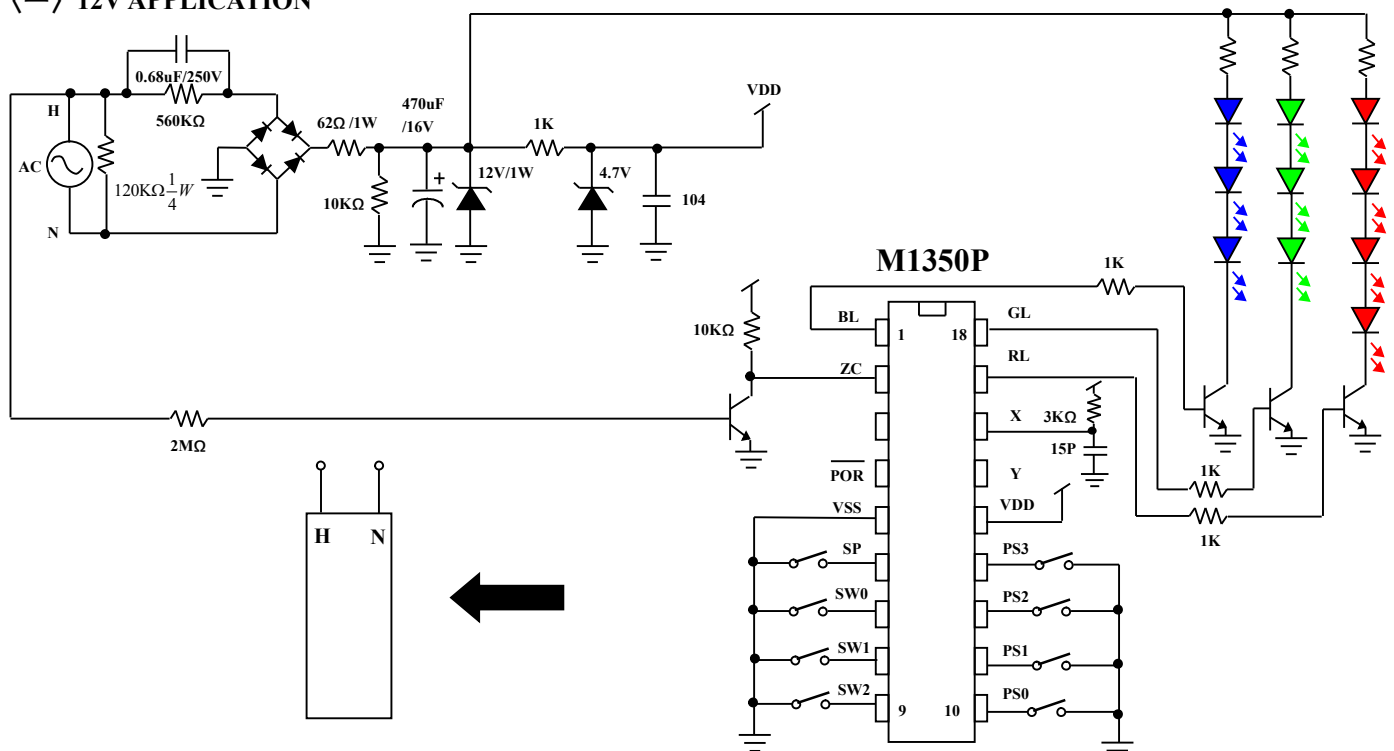
### ELECTRICAL CHARACTERISTICS 电气规格

( @V<sub>DD</sub>=4.5V unless otherwise specified )

Characteristics	Sym.	Min.	Typ.	Max.	Unit	REMARKS
工作电压 Operating Voltage	V <sub>DD</sub>	2.4	4.5	6	V	
工作电流 Operating Current	I <sub>OP</sub>	—	0.5	—	mA	No load
推动电流 Driving Sink Current	I <sub>OL</sub>	15	—	—	mA	@V <sub>DS</sub> = 1.2 V
推动电流 Driving Source Current	I <sub>Oh</sub>	20	—	—	mA	@V <sub>SD</sub> = 1.2 V
振荡频率 Oscillator Frequency	F <sub>LED</sub>	—	6.0	—	MHz	±30% TOL.
工作温度 Operating Temperature	Temp.	0	25	70	C°	

### APPLICATION DIAGRAM 参考电路图

#### 〈一〉 12V APPLICATION

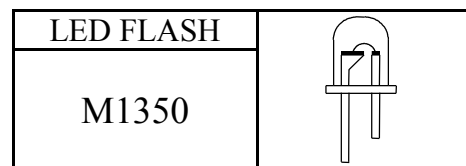






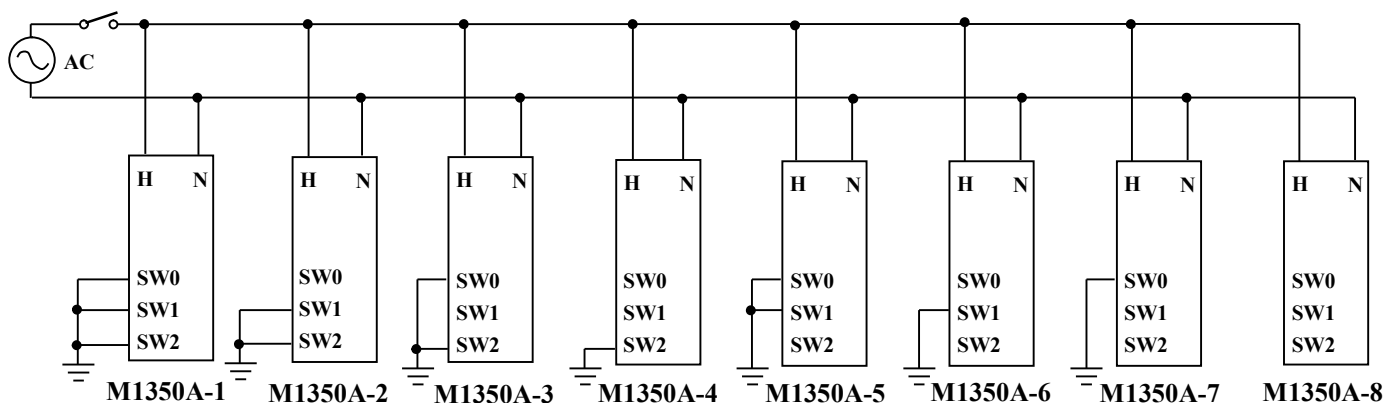
SYNC  
RGB LED IC

同步  
三色灯 LED IC



\* M1350A : 同步同色跳闪+同步同色顺序跳闪+同步同色反向跳闪+七彩渐明渐暗

P/N	MODE	SW2	SW1	SW0	PS0	PS1	PS2	PS3	PATTERN
M1350A-1	1	VSS	VSS	VSS	X	VSS	VSS	VSS	1
M1350A-2	2	VSS	VSS	X	X	X	VSS	VSS	1→2→Repeat
M1350A-3	3	VSS	X	VSS	X	X	X	VSS	1→2→3→Repeat
M1350A-4	4	VSS	X	X	X	X	X	X	1→2→3→4→Repeat
M1350A-5	5	X	VSS	VSS	VSS	X	VSS	VSS	2
M1350A-6	6	X	VSS	X	VSS	X	X	VSS	2→3→Repeat
M1350A-7	7	X	X	VSS	VSS	VSS	X	VSS	3
M1350A-8	8	X	X	X	VSS	VSS	VSS	X	4



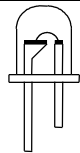
**PATTERN 1 : 同步同色跳闪** (快速 : 4 SEC 慢速 : 8 SEC at AC 60Hz)

1								
2								
3								
4								
5								
6								
7								
8								



SYNC  
RGB LED IC

同步  
三色灯 LED IC

LED FLASH	
M1350	

**PATTERN 2 : 同步同色顺序跳闪** ( 快速 : 4 SEC 慢速 : 8 SEC at AC 60Hz )

1	●	●	●	●	●	●	●	○
2		●	●	●	●	●	●	○
3			●	●	●	●	●	○
4				●	●	●	●	○
5					●	●	●	○
6						●	●	○
7							●	○
8								○

**PATTERN 3 : 同步同色反向跳闪** ( 快速 : 4 SEC 慢速 : 8 SEC at AC 60Hz )

1								●
2							●	●
3						●	●	●
4					●	●	●	●
5				●	●	●	●	●
6			●	●	●	●	●	●
7		●	●	●	●	●	●	●
8	○	●	●	●	●	●	●	●

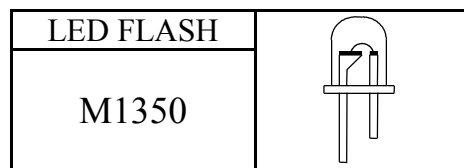
**PATTERN 4 : 七彩渐明渐暗** ( 快速 : 7.5 SEC 慢速 : 15 SEC at AC 60Hz )

1	●	●	●	●	●	●	○
2	●	●	●	●	●	●	○
3	●	●	●	●	●	●	○
4	●	●	●	●	●	●	○
5	●	●	●	●	●	●	○
6	●	●	●	●	●	●	○
7	●	●	●	●	●	●	○
8	●	●	●	●	●	●	○



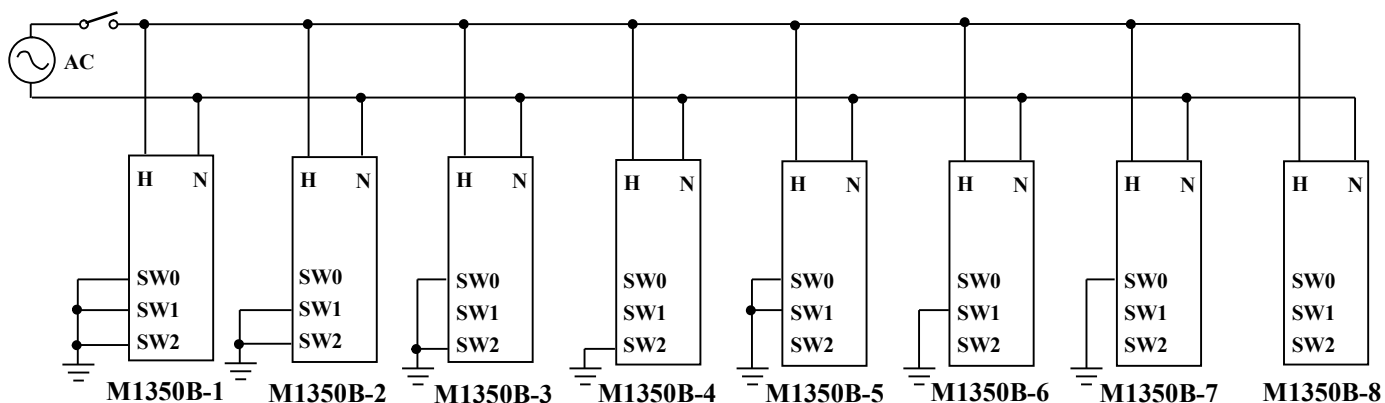
SYNC  
RGB LED IC

同步  
三色灯 LED IC



\* M1350B : 同步同色跳闪+同步 8 色顺序跳闪+同步 8 色反向跳闪+七彩渐明渐暗(飘)

P/N	MODE	SW2	SW1	SW0	PS0	PS1	PS2	PS3	PATTERN
M1350B-1	1	VSS	VSS	VSS	X	VSS	VSS	VSS	1
M1350B-2	2	VSS	VSS	X	X	X	VSS	VSS	1→2→Repeat
M1350B-3	3	VSS	X	VSS	X	X	X	VSS	1→2→3→Repeat
M1350B-4	4	VSS	X	X	X	X	X	X	1→2→3→4→Repeat
M1350B-5	5	X	VSS	VSS	VSS	X	VSS	VSS	2
M1350B-6	6	X	VSS	X	VSS	X	X	VSS	2→3→Repeat
M1350B-7	7	X	X	VSS	VSS	VSS	X	VSS	3
M1350B-8	8	X	X	X	VSS	VSS	VSS	X	4



**PATTERN 1 : 同步同色跳闪** (快速 : 4 SEC 慢速 : 8 SEC at AC 60Hz)

1								
2								
3								
4								
5								
6								
7								
8								



SYNC  
RGB LED IC

同步  
三色灯 LED IC

LED FLASH	
M1350	

**PATTERN 2 : 同步 8 色顺序跳闪** ( 快速 : 4 SEC 慢速 : 8 SEC at AC 60Hz )

1	●	●	●	●	●	●	●	○
2		●	●	●	●	●	●	●
3			●	●	●	●	●	●
4				●	●	●	●	●
5					●	●	●	●
6						●	●	●
7							●	●
8								●

**PATTERN 3 : 同步 8 色反向跳闪** ( 快速 : 4 SEC 慢速 : 8 SEC at AC 60Hz )

1								●
2							●	●
3						●	●	●
4					●	●	●	●
5				●	●	●	●	●
6			●	●	●	●	●	●
7		●	●	●	●	●	●	●
8	●	●	●	●	●	●	●	○

**PATTERN 4 : 七彩渐明渐暗(飘)** ( 快速 : 7.5 SEC 慢速 : 15 SEC at AC 60Hz )

1	●	●	●	●	●	●	○
2	○	●	●	●	●	●	●
3	●	○	●	●	●	●	●
4	●	●	○	●	●	●	●
5	●	●	●	○	●	●	●
6	●	●	●	●	○	●	●
7	●	●	●	●	●	○	●
8	●	●	●	●	●	●	○