



VDD CONTROL
RGB LED IC

电源控制
三色灯 LED IC

LED FLASH	
M1346	

FEATURES 功能叙述

- Minimum external component (without limit current resistor).
- Built-in oscillator.
- Power on continual function.

P/N	FUNCTION
M1346-1	七彩渐明渐暗
M1346-2	七彩跳闪
M1346-3	七彩跳闪 + 七彩渐明渐暗

APPLICATION 产品应用

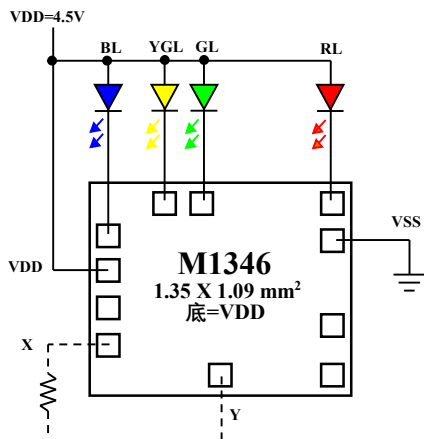
- Blinking LED, Function indicator, R.G.B Mix etc..

ELECTRICAL CHARACTERISTICS 电气规格

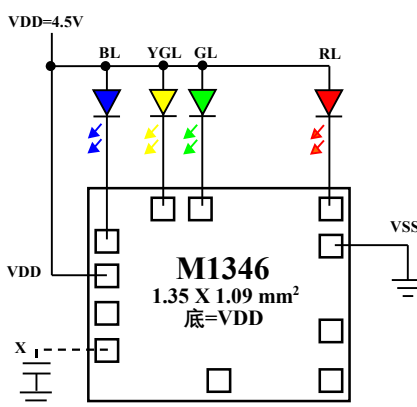
(@V_{DD}=4.5V unless otherwise specified)

Characteristics	Sym.	Min.	Typ.	Max.	Unit	REMARKS
工作电压 Operating Voltage	V _{DD}	—	4.5	5	V	
工作电流 Operating Current	I _{OP}	—	0.1	0.5	mA	No load
静态电流 Quiescent Current	I _{SB}	—	1	—	μ A	One-shot mode
推动电流 Driving Current	I _{OL}	20	—	—	mA	@V _{DS} = 1.2 V
振荡频率 Oscillator Frequency	F _{OSC}	—	110	—	KHz	±30% TOL.
工作温度 Operating Temperature	Temp.	0	25	60	°C	
储存温度 Storage temperature	Temp.	-65	—	+150	°C	

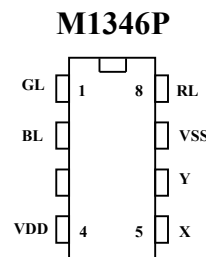
APPLICATION DIAGRAM 参考电路图



* 外加电阻加快



* 外加电容减慢



M1346-1 R、C 调整表

@V _{DD} =4.5V			
R (KΩ)	TIME (Sec.)	C (pF)	TIME (Sec.)
20	5.6	1	53
47	10	82	71
68	13	180	77
120	20	330	80
470	36	500	85
910	42	680	90

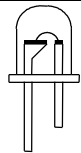
* Typical : 52 Sec. ± 20%

LED Chip			V _f (V)		I _v (mcd)	
Emitted color	Material	λ p(nm)	Typ.	Max.	At I _r (mA)	Typ.
Red	AlGaInP	635	1.9	2.1	20	120
Green	InGaN	525	3.1	3.5		100
Blue	InGaN	470	3.65	4.0		80
Yellow Green	AlGaInP	550	2.0	2.3		120

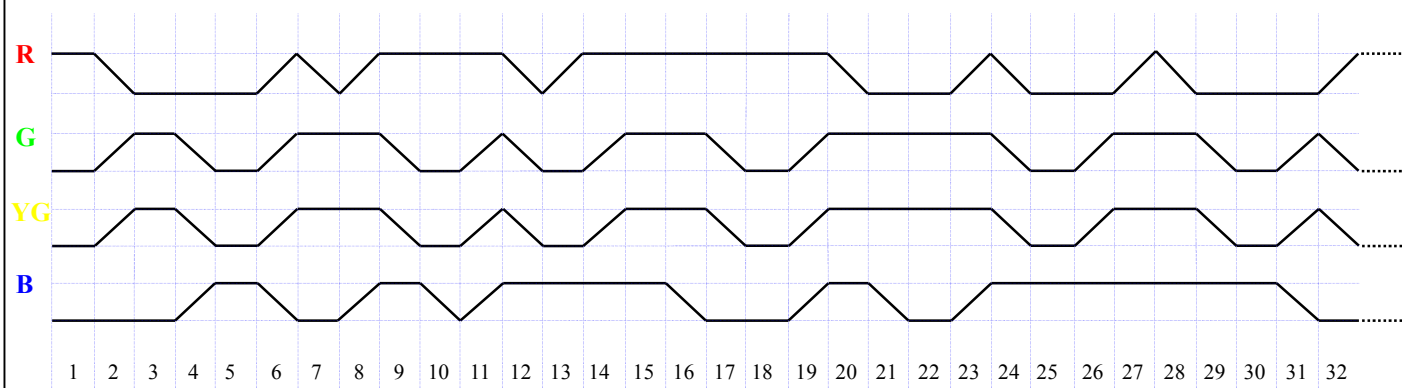


VDD CONTROL
RGB LED IC

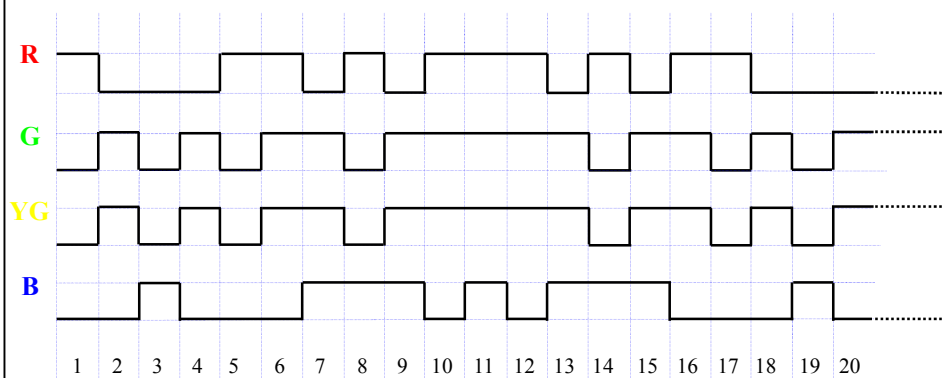
电源控制
三色灯 LED IC

LED FLASH	
M1346	

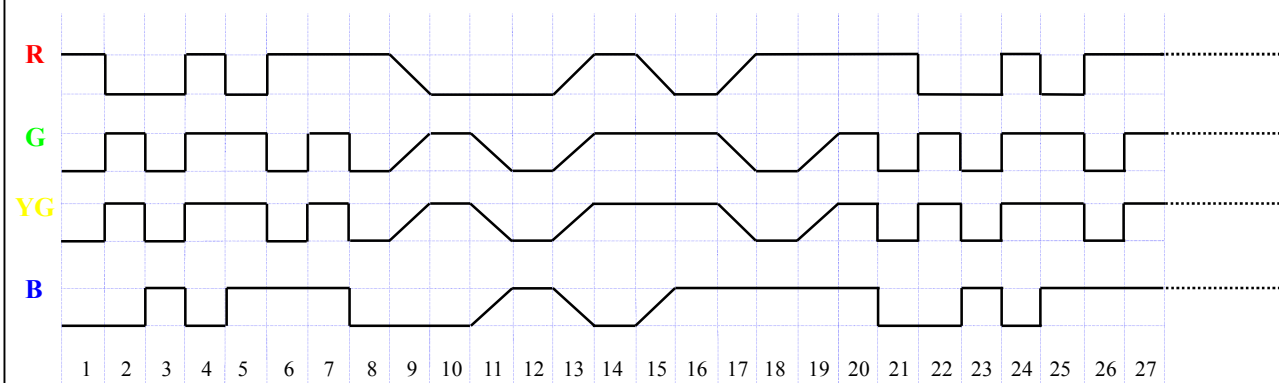
* M1346-1 (七彩渐明渐暗)



* M1346-2 (七彩跳闪)



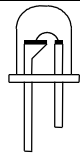
* M1346-3 (七彩跳闪 + 七彩渐明渐暗)



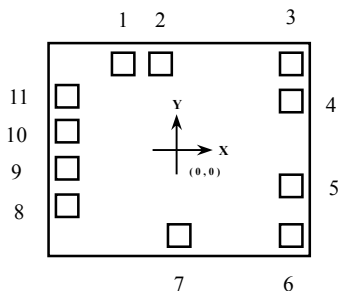


VDD CONTROL
RGB LED IC

电源控制
三色灯 LED IC

LED FLASH	
M1346	

PAD ASSIGNMENT & POSITION



UNIT : um

No.	NAME	X	Y
1	YG	-282.80	423.20
2	GL	-92.40	423.20
3	RL	552.40	423.20
4	VSS	552.40	243.20
5	TEST2	552.40	-184.20
6	TEST1	559.10	-423.20
7	Y	2.20	-423.20
8	X	-552.50	-264.70
9	OPT	-552.50	-77.70
10	VDD	-552.50	109.30
11	BL	-552.50	274.30

* CHIP SIZE ~ 1.35 x 1.09 mm²

* IC substrate should be connected to VDD in PCB (PCB 上 IC 必须接 VDD)

*All specs and applications shown above subject to change without prior notice.

(以上电路及规格仅供参考,本公司得径行修正)

PACKAGE OUTLINE

