



VDD CONTROL
RGB LED IC

電源控制
三色燈 LED IC

LED FLASH	
M1346	

FEATURES 功能敘述

- Minimum external component (without limit current resistor).
- Built-in oscillator.
- Power on continual function.

P/N	FUNCTION
M1346-1	七彩漸明漸暗
M1346-2	七彩跳閃
M1346-3	七彩跳閃 + 七彩漸明漸暗

APPLICATION 產品應用

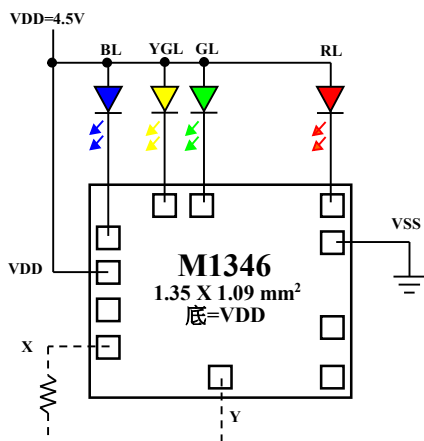
- Blinking LED, Function indicator, R.G.B Mix etc..

ELECTRICAL CHARACTERISTICS 電氣規格

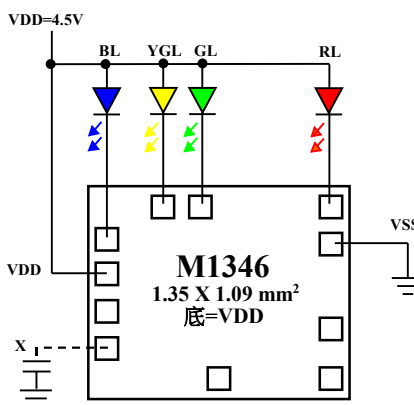
(@V_{DD}=4.5V unless otherwise specified)

Characteristics	Sym.	Min.	Typ.	Max.	Unit	REMARKS
工作電壓 Operating Voltage	V _{DD}	—	4.5	5	V	
工作電流 Operating Current	I _{OP}	—	0.1	0.5	mA	No load
靜態電流 Quiescent Current	I _{SB}	—	1	—	μA	One-shot mode
推動電流 Driving Current	I _{OL}	20	—	—	mA	@V _{DS} = 1.2 V
振盪頻率 Oscillator Frequency	F _{OSC}	—	110	—	KHz	±30% TOL.
工作溫度 Operating Temperature	Temp.	0	25	60	°C	
儲存溫度 Storage temperature	Temp.	-65	—	+150	°C	

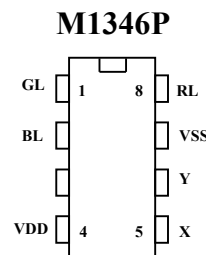
APPLICATION DIAGRAM 參考電路圖



* 外加電阻加快



* 外加電容減慢



M1346-1 R、C 調整表

@V _{DD} =4.5V			
R (KΩ)	TIME (Sec.)	C (pF)	TIME (Sec.)
20	5.6	1	53
47	10	82	71
68	13	180	77
120	20	330	80
470	36	500	85
910	42	680	90

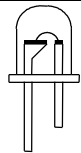
* Typical : 52 Sec. ± 20%

LED Chip			V _f (V)		I _v (mcd)	
Emitted color	Material	λ p(nm)	Typ.	Max.	At I _r (mA)	Typ.
Red	AlGaInP	635	1.9	2.1	20	120
Green	InGaN	525	3.1	3.5		100
Blue	InGaN	470	3.65	4.0		80
Yellow Green	AlGaInP	550	2.0	2.3		120

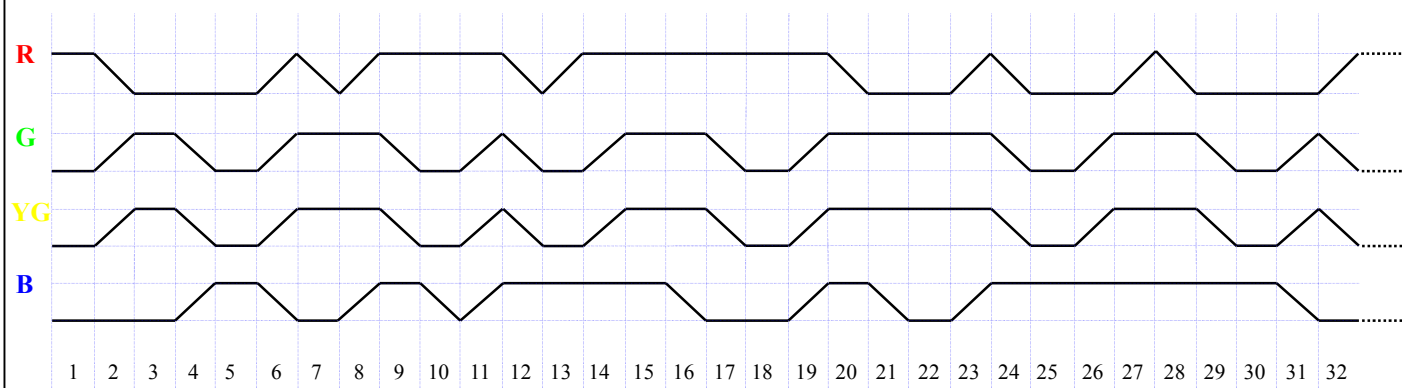


VDD CONTROL
RGB LED IC

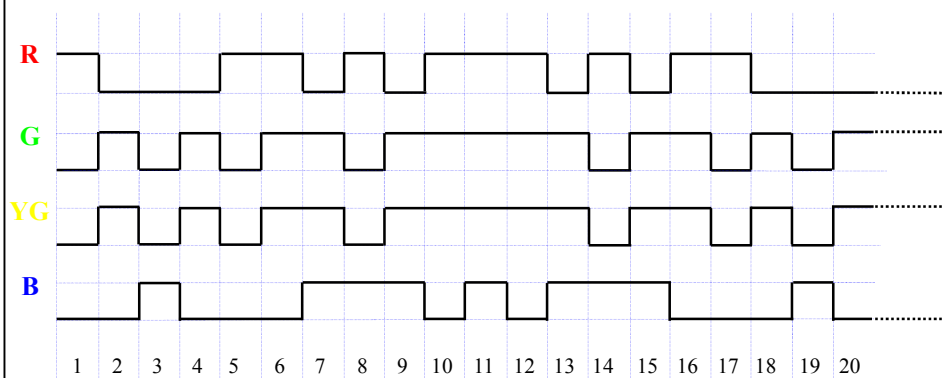
電源控制
三色燈 LED IC

LED FLASH	
M1346	

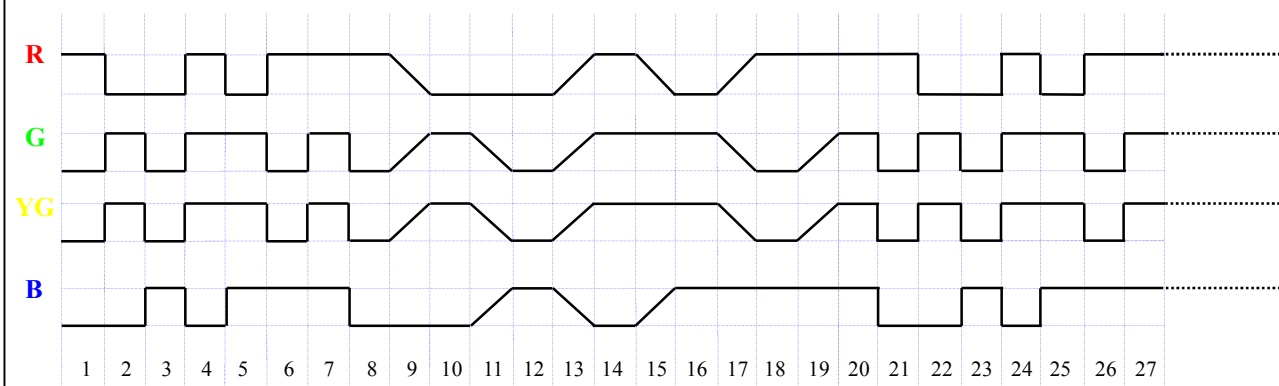
* M1346-1 (七彩漸明漸暗)



* M1346-2 (七彩跳閃)



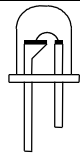
* M1346-3 (七彩跳閃 + 七彩漸明漸暗)



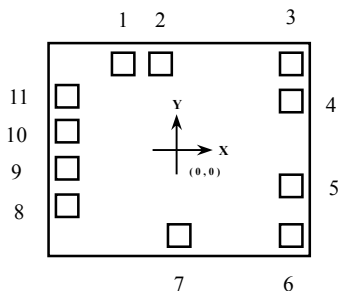


VDD CONTROL
RGB LED IC

電源控制
三色燈 LED IC

LED FLASH	
M1346	

PAD ASSIGNMENT & POSITION



UNIT : um

No.	NAME	X	Y
1	YG	-282.80	423.20
2	GL	-92.40	423.20
3	RL	552.40	423.20
4	VSS	552.40	243.20
5	TEST2	552.40	-184.20
6	TEST1	559.10	-423.20
7	Y	2.20	-423.20
8	X	-552.50	-264.70
9	OPT	-552.50	-77.70
10	VDD	-552.50	109.30
11	BL	-552.50	274.30

* CHIP SIZE ~ 1.35 x 1.09 mm²

* IC substrate should be connected to VDD in PCB (PCB 上 IC 必須接 VDD)

*All specs and applications shown above subject to change without prior notice.

(以上電路及規格僅供參考,本公司得逕行修正)

PACKAGE OUTLINE

