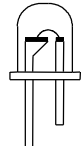




VDD CONTROL  
RGB LED IC (Source)

电源控制  
三色灯 LED IC

LED FLASH	
M1343	

### FEATURES 功能叙述

- Minimum external component ( without limit current resister ).
- Built-in oscillator.
- LED : Source output (PN Junction LED)
- Easy assemble on LED frame.

P/N	FUNCTION
M1343-1	七彩渐明渐暗

### APPLICATION 产品应用

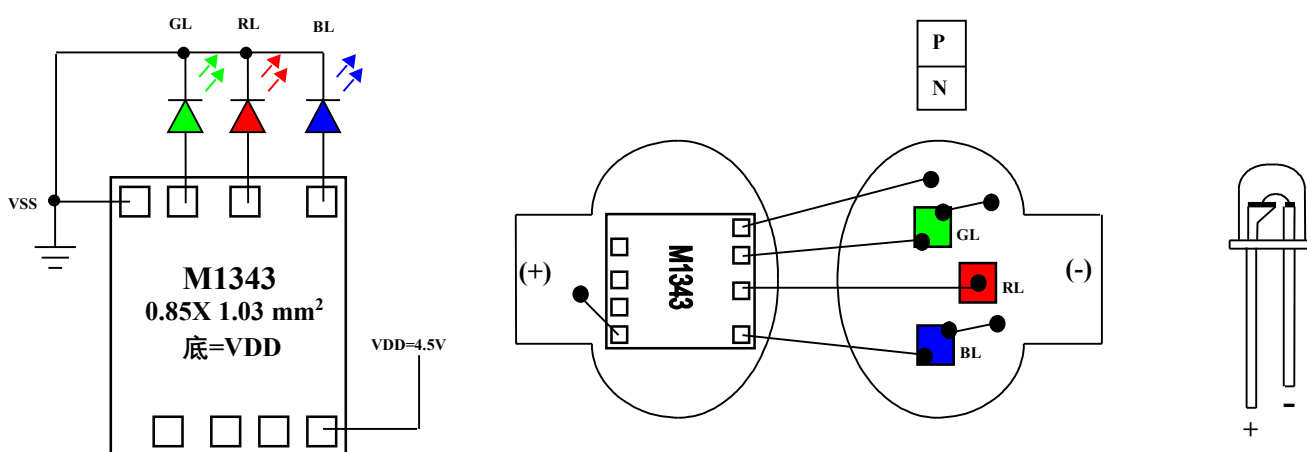
- Blinking LED, Function indicator, R.G.B Mix etc..

### ELECTRICAL CHARACTERISTICS 电气规格

( @V<sub>DD</sub>=4.5V unless otherwise specified )

Characteristics	Sym.	Min.	Typ.	Max.	Unit	REMARKS
工作电压 Operating Voltage	V <sub>DD</sub>	—	4.5	5.5	V	
工作电流 Operating Current	I <sub>OP</sub>	—	0.1	0.5	mA	No load
推动电流 Driving Current	I <sub>OL</sub>	20	—	—	mA	@V <sub>f</sub> = 2.3 V ,RL
		20	—	—	mA	@V <sub>f</sub> = 3.5 V ,GL,BL
振荡频率 Oscillator Frequency	F <sub>OSC</sub>	—	128	—	KHz	±30% TOL.
工作温度 Operating Temperature	Temp.	0	25	60	C°	

### APPLICATION DIAGRAM 参考电路图



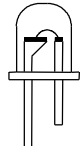
\*All specs and applications shown above subject to change without prior notice.

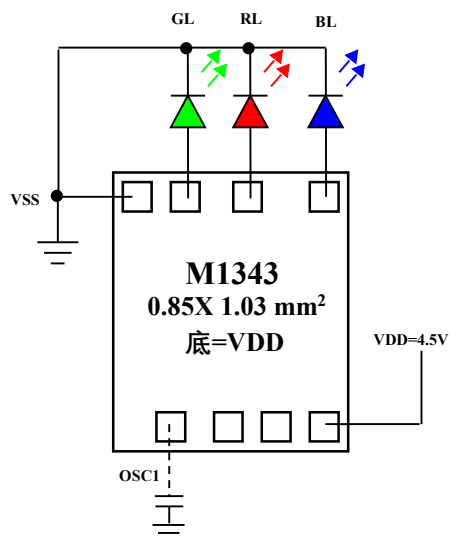
( 以上电路及规格仅供参考,本公司得径行修正 )



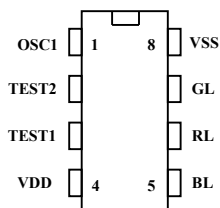
VDD CONTROL  
RGB LED IC (Source)

电源控制  
三色灯 LED IC

LED FLASH	
M1343	



M1343P



\* 外加电容减慢

\* M1343-1 (七彩渐明渐暗)

