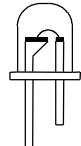




VDD CONTROL
RGB LED IC (Source)

電源控制
三色燈 LED IC

LED FLASH	
M1343	

FEATURES 功能敘述

- Minimum external component (without limit current resister).
- Built-in oscillator.
- LED : Source output (PN Junction LED)
- Easy assemble on LED frame.

P/N	FUNCTION
M1343-1	七彩漸明漸暗

APPLICATION 產品應用

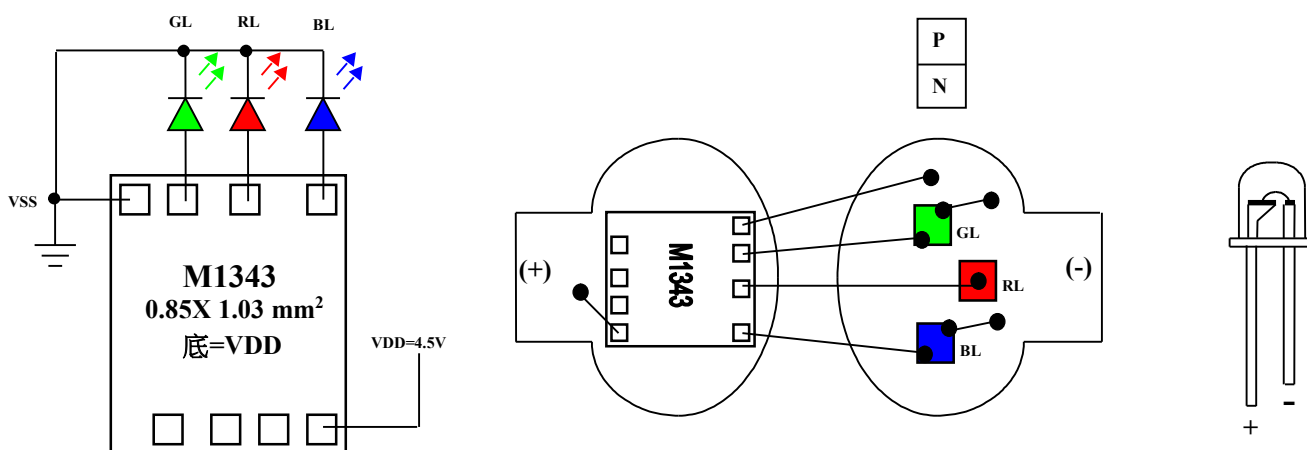
- Blinking LED, Function indicator, R.G.B Mix etc..

ELECTRICAL CHARACTERISTICS 電氣規格

(@V_{DD}=4.5V unless otherwise specified)

Characteristics	Sym.	Min.	Typ.	Max.	Unit	REMARKS
工作電壓 Operating Voltage	V _{DD}	—	4.5	5.5	V	
工作電流 Operating Current	I _{OP}	—	0.1	0.5	mA	No load
推動電流 Driving Current	I _{OL}	20	—	—	mA	@V _f = 2.3 V ,RL
		20	—	—	mA	@V _f = 3.5 V ,GL,BL
振盪頻率 Oscillator Frequency	F _{OSC}	—	128	—	KHz	±30% TOL.
工作溫度 Operating Temperature	Temp.	0	25	60	°C	

APPLICATION DIAGRAM 參考電路圖



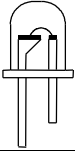
*All specs and applications shown above subject to change without prior notice.

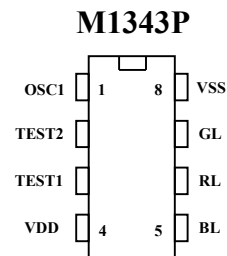
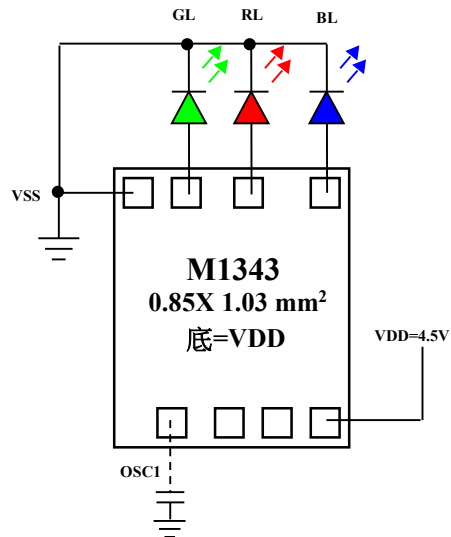
(以上電路及規格僅供參考,本公司得逕行修正)



VDD CONTROL
RGB LED IC (Source)

電源控制
三色燈 LED IC

LED FLASH	
M1343	



* 外加電容減慢

* M1343-1 (七彩漸明漸暗)

