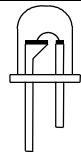




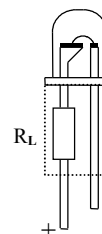
2 Hz  
48V USE

48V 适用  
LED 闪烁 IC

LED FLASH	
M1150	

### FEATURES 功能叙述

- Totally built-in OSC.
- Operating voltage : 48V Typ. with a resistor load.
- Blink 64 cycles in about 32 seconds and keep on.



### APPLICATION 产品应用

- For communication equipment use.

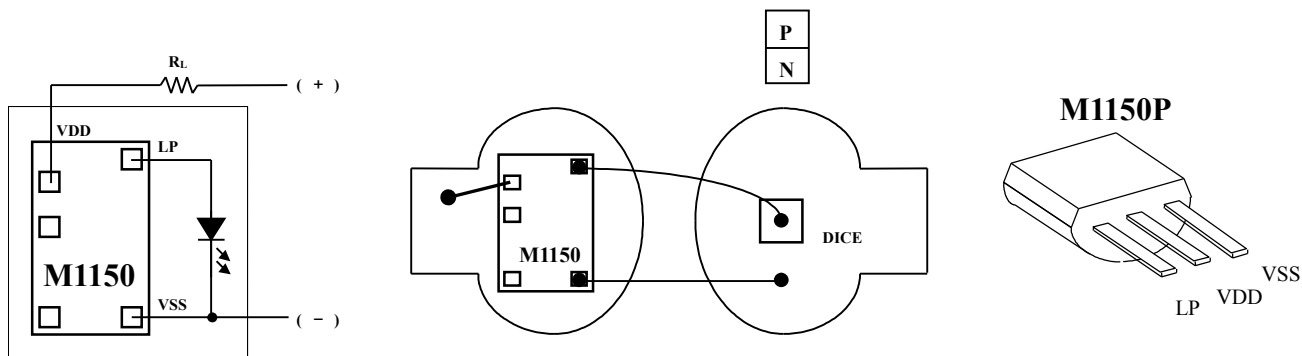
### ELECTRICAL CHARACTERISTICS 电气规格

( @V<sub>DD</sub>=3V unless otherwise specified )

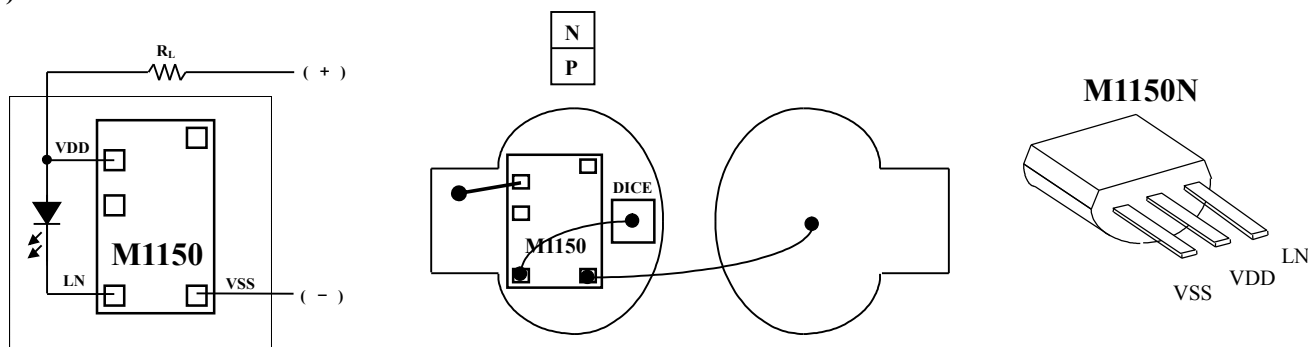
Characteristics	Sym.	Min.	Typ.	Max.	Unit	REMARKS
工作电压 Operating Voltage	V <sub>DD</sub>	2	3	5	V	
工作电流 Operating Current	I <sub>OP</sub>	—	—	—	mA	No load
工作时间 Time Period	T <sub>P</sub>	25	32	40	sec	64 cycles
推动电流 Driving Current	I <sub>OL</sub>	4	6	—	mA	@V <sub>DS</sub> =2V
振荡频率 Oscillator Frequency	F <sub>OSC</sub>	—	64	—	KHz	±30% TOL.
振荡频率 LED Frequency	F <sub>LED</sub>	1.6	2	2.6	Hz	
工作温度 Operating Temperature	Temp.	-10	25	60	C°	

### APPLICATION DIAGRAM 参考电路图

#### (1) SOURCE TYPE



#### (2) SINK TYPE



\* IC CHIP ~ 0.8x 1.38 mm<sup>2</sup>, substrate to VDD.

\* All specs and applications shown above subject to change without prior notice.

( 以上电路及规格仅供参考,本公司得径行修正 )