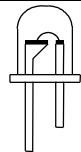




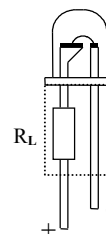
2 Hz
48V USE

48V 適用
LED 閃爍 IC

LED FLASH	
M1150	

FEATURES 功能敘述

- Totally built-in OSC.
- Operating voltage : 48V Typ. with a resistor load.
- Blink 64 cycles in about 32 seconds and keep on.



APPLICATION 產品應用

- For communication equipment use.

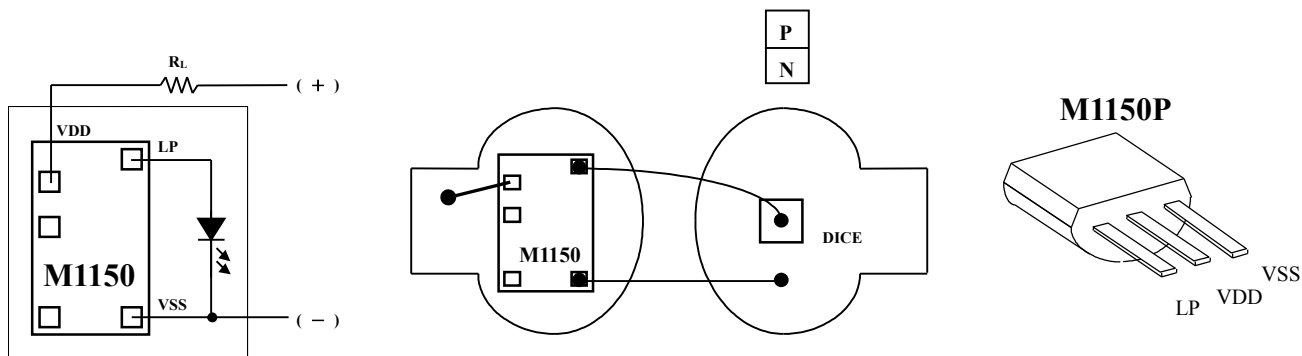
ELECTRICAL CHARACTERISTICS 電氣規格

(@V_{DD}=3V unless otherwise specified)

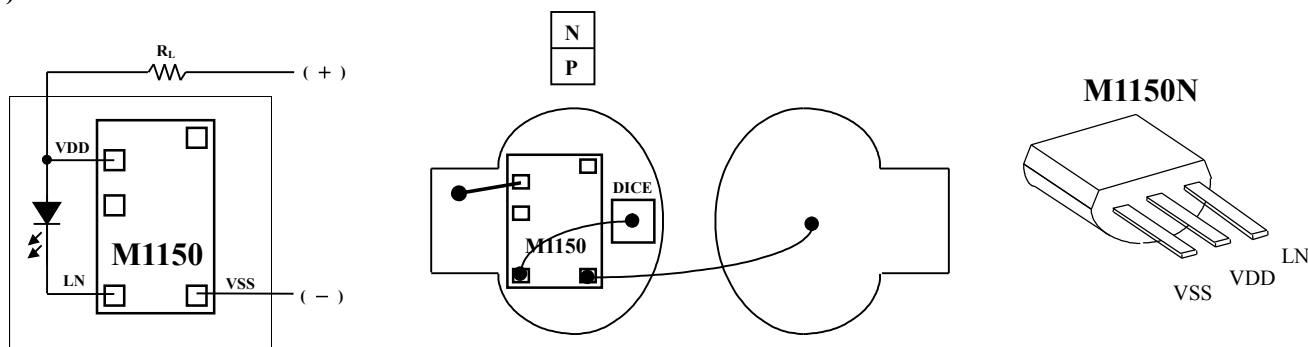
Characteristics	Sym.	Min.	Typ.	Max.	Unit	REMARKS
工作電壓 Operating Voltage	V _{DD}	2	3	5	V	
工作電流 Operating Current	I _{OP}	—	—	—	mA	No load
工作時間 Time Period	T _P	25	32	40	sec	64 cycles
推動電流 Driving Current	I _{OL}	4	6	—	mA	@V _{DS} =2V
振盪頻率 Oscillator Frequency	F _{OSC}	—	64	—	KHz	±30% TOL.
振盪頻率 LED Frequency	F _{LED}	1.6	2	2.6	Hz	
工作溫度 Operating Temperature	Temp.	-10	25	60	°C	

APPLICATION DIAGRAM 參考電路圖

(1) SOURCE TYPE



(2) SINK TYPE



* IC CHIP ~ 0.8x 1.38 mm², substrate to VDD.

* All specs and applications shown above subject to change without prior notice.

(以上電路及規格僅供參考,本公司得逕行修正)