



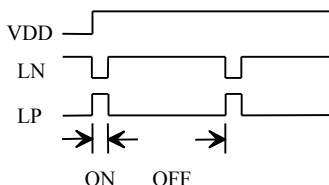
LED FLASH	
M1142A/M1143A	

BLINKING LED

LED 闪烁 IC

FEATURES 功能叙述

- Simple and easy to mount in LED lamp.
- Gold plating : suffix-G.



P/N	ON	OFF	LED	DUTY
M1142A-1	0.75"	3"	LP	1/5
M1143A-1	0.75"	3"	LN	1/5

APPLICATION 产品应用

- Blinking LED, Function indicator, Xmas decoration.

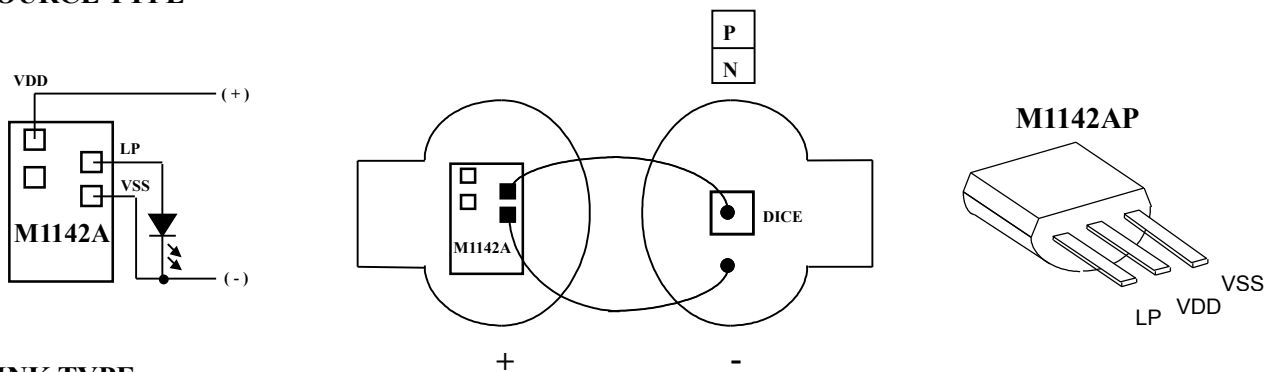
ELECTRICAL CHARACTERISTICS 电气规格

(@V_{DD}=3V unless otherwise specified)

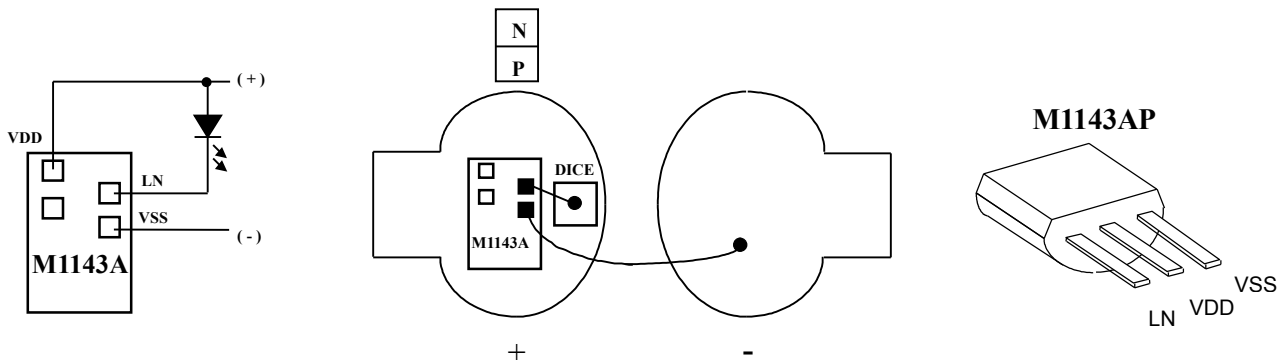
Characteristics	Sym.	Min.	Typ.	Max.	Unit	REMARKS
工作电压 Operating Voltage	V _{DD}	2	3	3.5	V	
工作电流 Operating Current	I _{OP}	—	0.1	0.5	mA	No load
静态电流 Quiescent Current	I _{SB}	—	—	—	μ A	
推动电流 Driving Current	I _{OL}	1	2	—	mA	@V _{DS} =1V
振荡频率 Oscillator Frequency	F _{OSC}	—	131	—	KHz	±30% TOL.
工作温度 Operating Temperature	Temp.	0	25	60	C°	

APPLICATION DIAGRAM 参考电路图

(1) SOURCE TYPE



(2) SINK TYPE



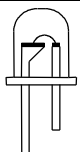
* IC PAD ~ 100 x 100μ m²

* IC CHIP ~ 0.78 x 0.56 mm², substrate to VDD.

*All specs and applications shown above subject to change without prior notice.

(以上电路及规格仅供参考,本公司得径行修正)

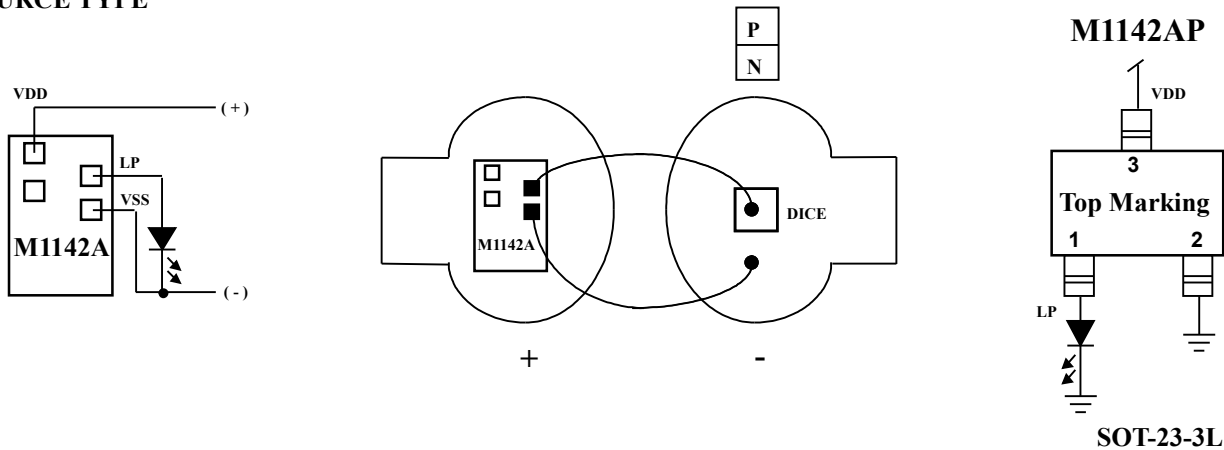


LED FLASH	
M1142A/M1143A	

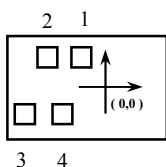
BLINKING LED

LED 闪烁 IC

SOURCE TYPE



PAD ASSIGNMENT & POSITION



UNIT : um

No.	NAME	X	Y
1	VSS	33.1	152.2
2	LED	-149.2	152.2
3	VDD	-265	-152.2
4	TEST	-82.6	-152.2

* CHIP SIZE ~ 0.78 x 0.56 mm²

* IC substrate should be connected to VDD in PCB (PCB 上 IC 必须接 VDD)