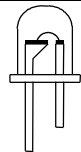




12V 3/5φ CAR USE
BLINKING LED

12V 3/5 φ (汽车)
LED 闪烁 IC

LED FLASH	
M1141	

FEATURES 功能叙述

- 1.5 / 2.4 Hz flash rate available.
- Mask option for duty cycle and flash rate.
- Gold plating : Suffix-G.



P/N	Hz	DUTY
M1141-1	1.2	1/4
M1141-2	2.4	1/4
M1141-3	1.5	1/8
M1141-4	2.4	1/8

APPLICATION 产品应用

- Blinking LED, Function indicator, Xmas decoration etc..

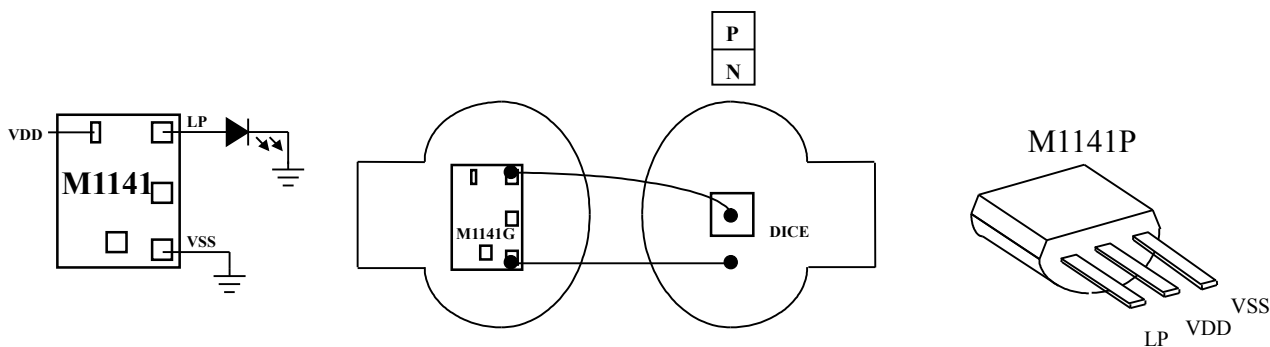
ELECTRICAL CHARACTERISTICS 电气规格

(@V_{DD}=12V unless otherwise specified)

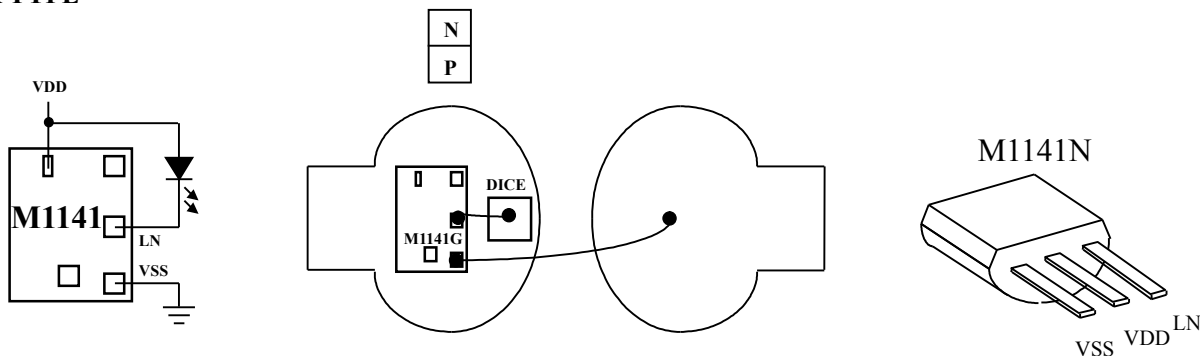
Characteristics	Sym.	Min.	Typ.	Max.	Unit	REMARKS
工作电压 Operating Voltage	V _{DD}	3	12	13	V	
工作电流 Operating Current	I _{OP}	—	0.1	0.5	mA	No load
静态电流 Quiescent Current	I _{SB}	—	—	—	μ A	
推动电流 Driving Current	I _{OL}	20	—	—	mA	
振荡频率 Oscillator Frequency	F _{OSC}	—	72	—	KHz	±30% TOL.
工作温度 Operating Temperature	Temp.	0	25	60	C°	

APPLICATION DIAGRAM 参考电路图

(1) SOURCE TYPE



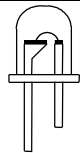
(2) SINK TYPE



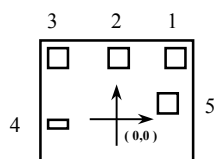


12V 3/5φ CAR USE
BLINKING LED

12V 3/5 φ (汽车)
LED 闪烁 IC

LED FLASH	
M1141	

PAD ASSIGNMENT & POSITION



UNIT : um

No.	NAME	X	Y
1	VSS	277.5	222.5
2	LN	10	222.5
3	LP	-277.5	222.5
4	VDD	-271	-85
5	OSC	251	20.5

* CHIP SIZE ~ 0.83 x 0.72 mm²

* IC substrate should be connected to VDD in PCB (PCB 上 IC 必须接 VDD)

*All specs and applications shown above subject to change without prior notice.

(以上电路及规格仅供参考,本公司得径行修正)