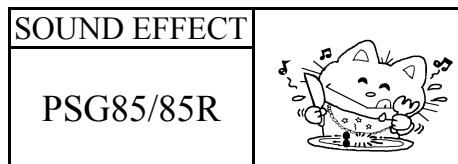




PSG85 INT.R 內建電阻
PSG85R EXT.R 外加振盪電阻

槍聲
8 聲 5 燈 IC



FEATURES 功能敘述

- 8 different sounds in one key.
- Non-retriggerable.
- RD : Randomly output.
- K9-OFF : K9 (SCAN) disabled.
- L1→L5 LED.

K	PSG85/ PSG85R	PSG85R-1
K1	RIFLE	45 手槍
K2	RIFLE (ECHO)	雷射槍
K3	TV GAME	RIFLE (ECHO)
K4	DUAL TONE	45 快炮
K5	BOMBING 1	BOMBING 2
K6	BOMBING 2	機關槍
K7	GUN 1	M16
K8	GUN 2	GUN
K9	SCAN	SCAN
	Rosc=150KΩ	Rosc=200KΩ

APPLICATION 產品應用

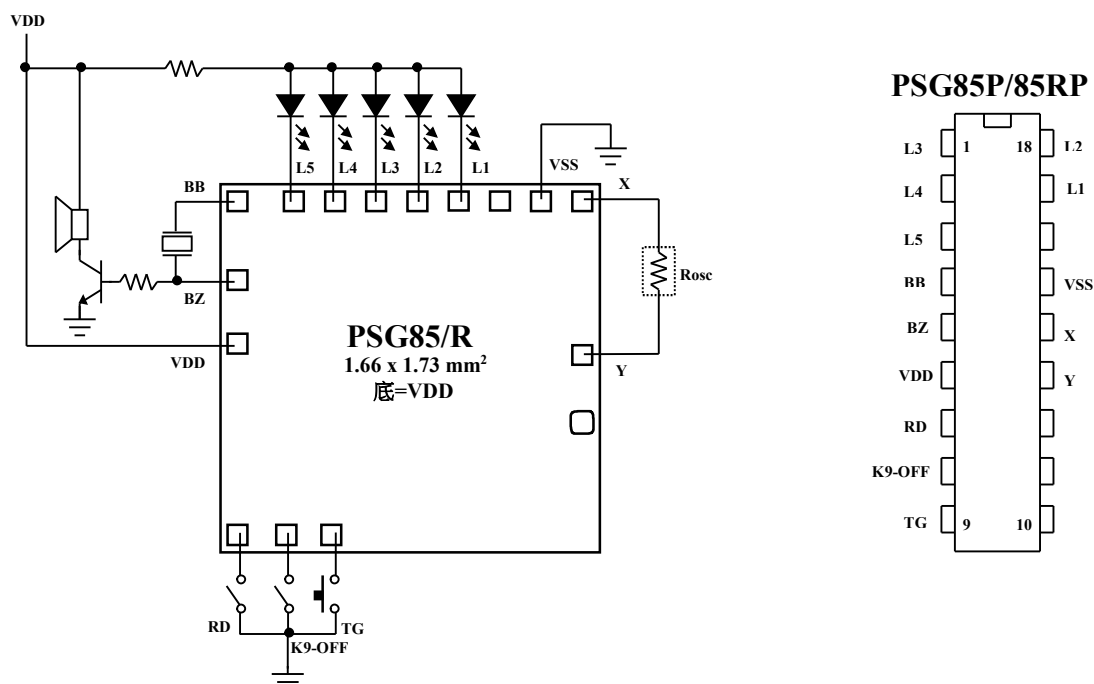
- Toys, TV/Arcade game etc.

ELECTRICAL CHARACTERISTICS 電氣規格

(@V_{DD}=3V unless otherwise specified)

Characteristics	Sym.	Min.	Typ.	Max.	Unit	REMARKS
工作電壓 Operating Voltage	V _{DD}	—	3	3.5	V	
工作電流 Operating Current	I _{OP}	—	0.1	0.5	mA	No load
靜態電流 Quiescent Current	I _{SB}	—	1	5	μA	
推動電流 BZ Driving Current	I _O	1	—	—	mA	@V _{DS} =1V
推動電流 LO Driving Current	I _{OL}	6	—	—	mA	@V _{DS} =1.2V
振盪頻率 Oscillator Frequency	F _{OSC}	—	128	—	KHz	±30% TOL.
工作溫度 Operating Temperature	Temp.	0	25	60	°C	

APPLICATION DIAGRAM 參考電路圖



*All specs and applications shown above subject to change without prior notice.

(以上電路及規格僅供參考,本公司得逕行修正)