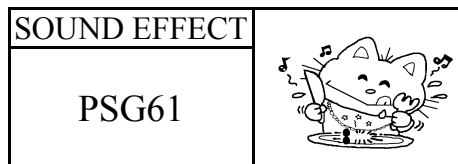




4 KEYS
BI-BI CALL

哔哔扣声



FEATURES 功能叙述

- 4 programmable sound output.
- LED blinking output.

KEY	SOUND	TIME
K1	BI BI BI-	2
K2	---BI	6
K3	LED FLASH	
K4	RING TONE	

APPLICATION 产品应用

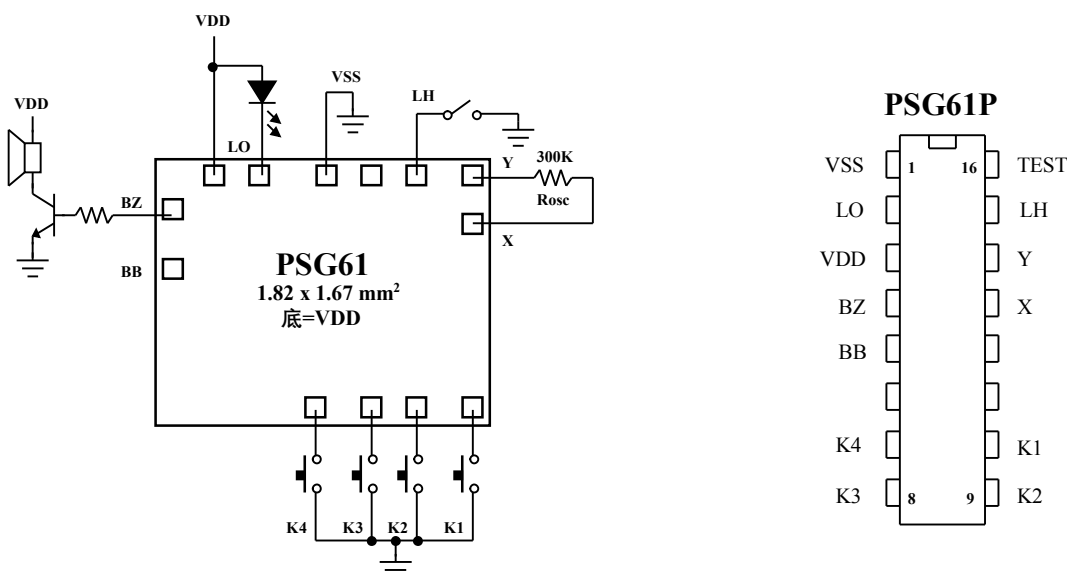
- Toys, Blink game, BI-BI call game etc..

ELECTRICAL CHARACTERISTICS 电气规格

(@V_{DD}=3V unless otherwise specified)

Characteristics	Sym.	Min.	Typ.	Max.	Unit	REMARKS
工作电压 Operating Voltage	V _{DD}	—	3	3.5	V	
工作电流 Operating Current	I _{OP}	—	0.1	0.5	mA	No load
静态电流 Quiescent Current	I _{SB}	—	1	5	μ A	
推动电流 BZ Driving Current	I _O	1	—	—	mA	@V _{DS} =1V
推动电流 LO Driving Current	I _{OL}	6	—	—	mA	@V _{DS} =1.2V
振荡频率 Oscillator Frequency	F _{OSC}	—	64	—	KHz	External±30% Rosc=270KΩ
工作温度 Operating Temperature	Temp.	0	25	60	C°	

APPLICATION DIAGRAM 参考电路图




*All specs and applications shown above subject to change without prior notice.

(以上电路及规格仅供参考,本公司得径行修正)

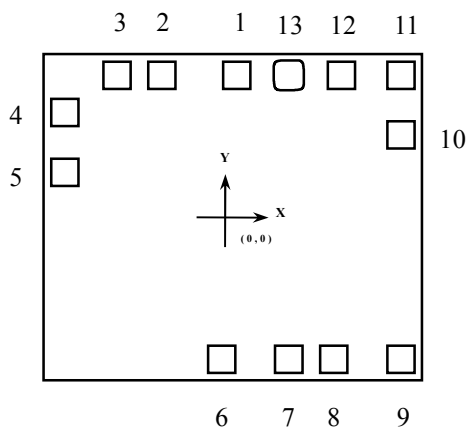


4 KEYS
BI-BI CALL

哔哔扣声

SOUND EFFECT	
PSG61	

PAD ASSIGNMENT & POSITION



UNIT : um

No.	NAME	X	Y
1	VSS	26	626
2	LED	-329	626
3	VDD	-543	626
4	BZ	-762	449
5	BB	-762	149
6	K4	-25	-626
7	K3	260	-626
8	K2	470	-626
9	K1	755	-626
10	X	762	370
11	Y	762	626
12	LH	492	626
13	TEST	259.5	626

* CHIP SIZE ~ 1.828 x 1.674 mm²

* IC substrate should be connected to VDD in PCB (PCB 上 IC 必须接 VDD)

*All specs and applications shown above subject to change without prior notice.

(以上电路及规格仅供参考,本公司得径行修正)