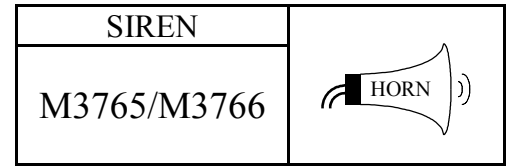




HORN/SIREN
WITH SOFT CHIRP
6 ALARM SOUNDS

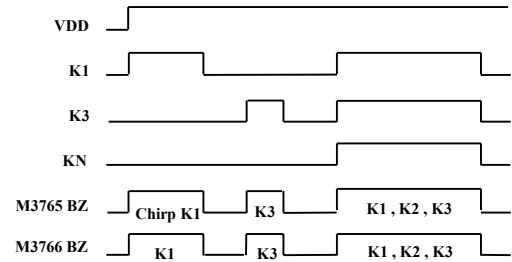
警报喇叭专用
附唧声
6种警报声 IC



FEATURES 功能叙述

- K1 to K6 cascade.
- Level-hold operation.
- LED flash output.
- Soft chirp : 200ms

P/N	REMARK
M3765	6 Sounds with soft chirp
M3766	6 Sounds



APPLICATION 产品应用

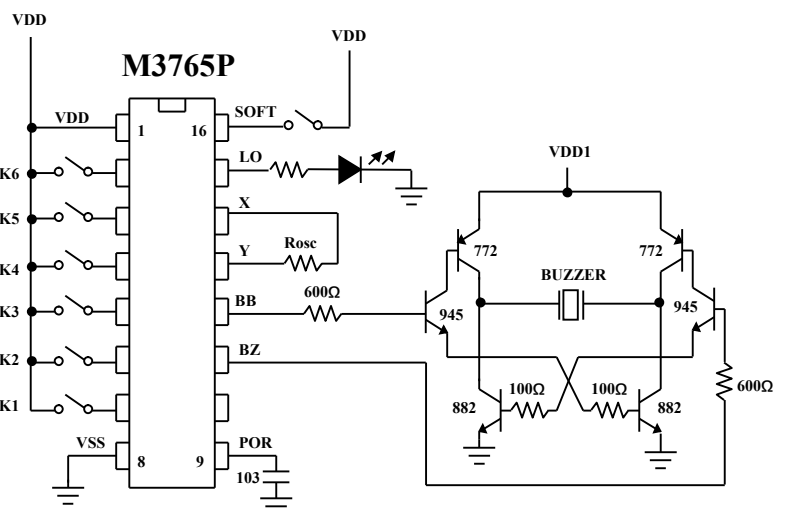
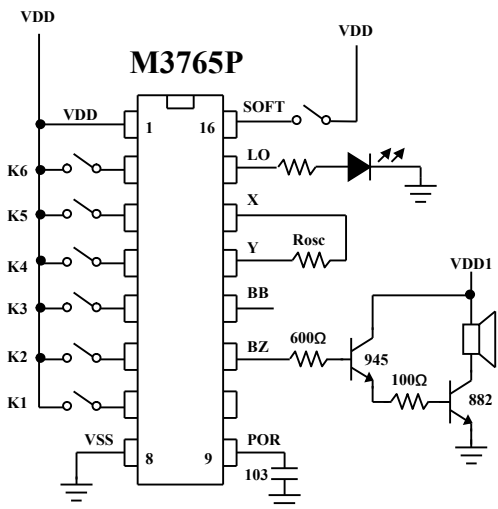
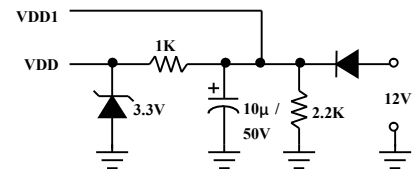
- Alarm system, Horn etc..

ELECTRICAL CHARACTERISTICS 电气规格

(@V_{DD}=3.5V unless otherwise specified)

Characteristics	Sym.	Min.	Typ.	Max.	Unit	REMARKS
工作电压 Operating Voltage	V _{DD}	—	3.5	4.9	V	
工作电流 Operating Current	I _{OP}	—	0.1	0.5	mA	No load
推动电流 BZ Driving Current	I _O	1	—	—	mA	@V _{DS} =1V
推动电流 LO Driving Current	I _{OL}	6	—	—	mA	@V _{DS} =1.2V
振荡频率 Oscillator Frequency	F _{OSC}	—	128	—	KHz	External±30%, Rosc=120KΩ
工作温度 Operating Temperature	Temp.	0	25	60	C°	

APPLICATION DIAGRAM 参考电路图



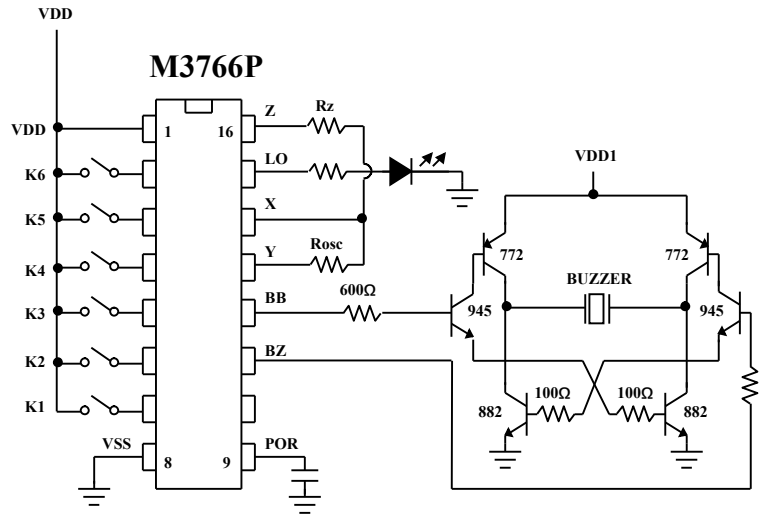
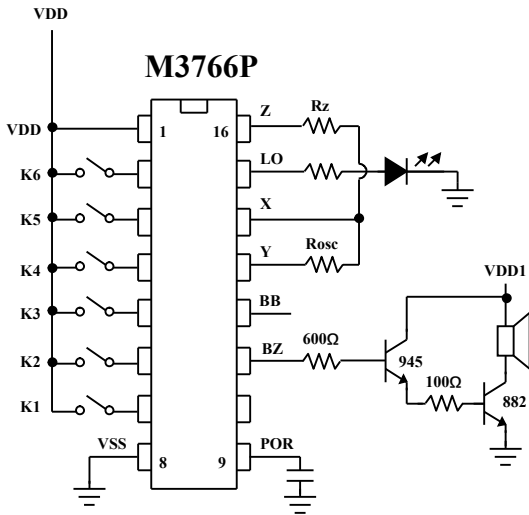
* All specs and applications shown above subject to change without prior notice.
(以上电路及规格仅供参考,本公司得径行修正)



HORN/SIREN
WITH SOFT CHIRP
6 ALARM SOUNDS

警报喇叭专用
附啾声
6种警报声 IC

SIREN	
M3765/M3766	



* All specs and applications shown above subject to change without prior notice.
(以上电路及规格仅供参考,本公司得径行修正)