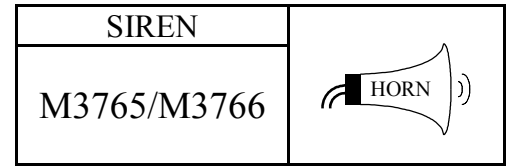




HORN/SIREN
WITH SOFT CHIRP
6 ALARM SOUNDS

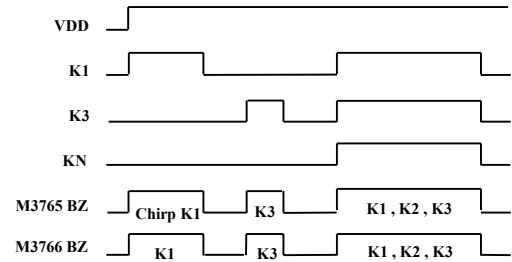
警報喇叭專用
附唧聲
6 種警報聲 IC



FEATURES 功能敘述

- K1 to K6 cascade.
- Level-hold operation.
- LED flash output.
- Soft chirp : 200ms

P/N	REMARK
M3765	6 Sounds with soft chirp
M3766	6 Sounds



APPLICATION 產品應用

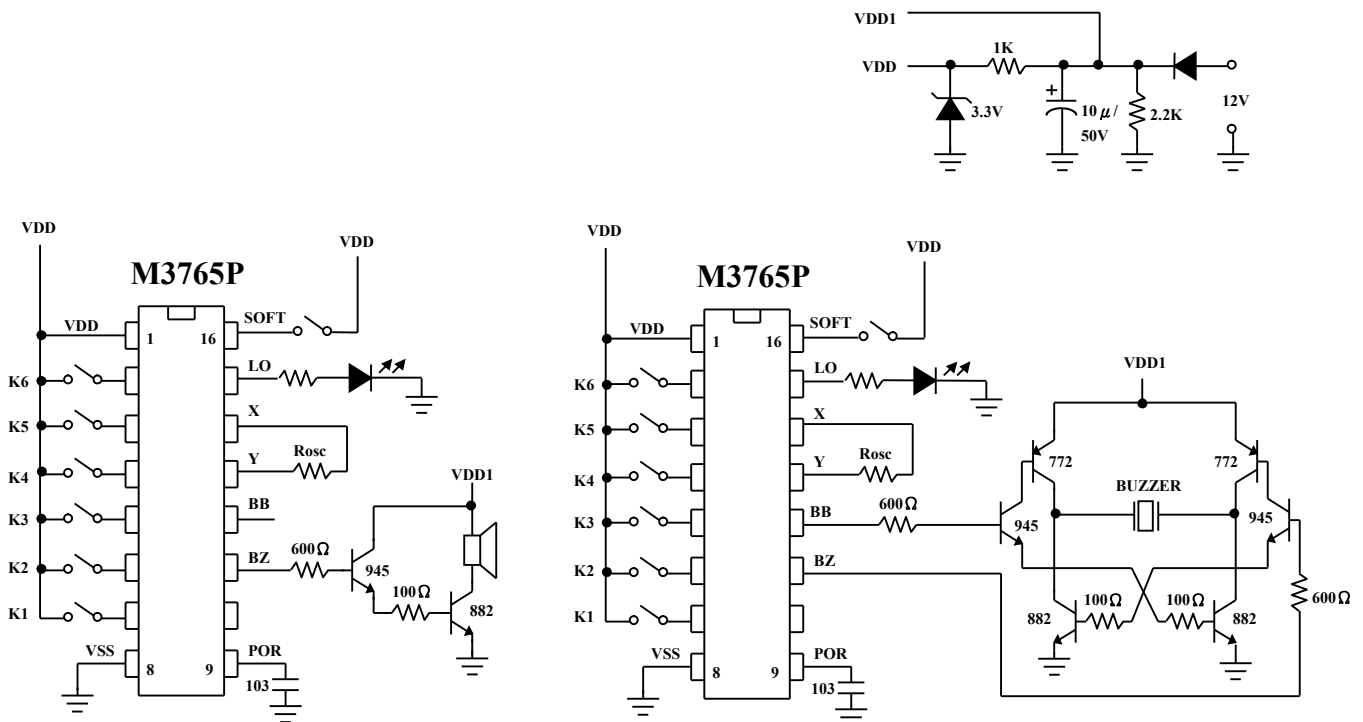
- Alarm system, Horn etc..

ELECTRICAL CHARACTERISTICS 電氣規格

(@V_{DD}=3.5V unless otherwise specified)

Characteristics	Sym.	Min.	Typ.	Max.	Unit	REMARKS
工作電壓 Operating Voltage	V _{DD}	—	3.5	4.9	V	
工作電流 Operating Current	I _{OP}	—	0.1	0.5	mA	No load
推動電流 BZ Driving Current	I _O	1	—	—	mA	@V _{DS} =1V
推動電流 LO Driving Current	I _{OL}	6	—	—	mA	@V _{DS} =1.2V
振盪頻率 Oscillator Frequency	F _{OSC}	—	128	—	KHz	External±30%, Rosc=120KΩ
工作溫度 Operating Temperature	Temp.	0	25	60	°C	

APPLICATION DIAGRAM 參考電路圖



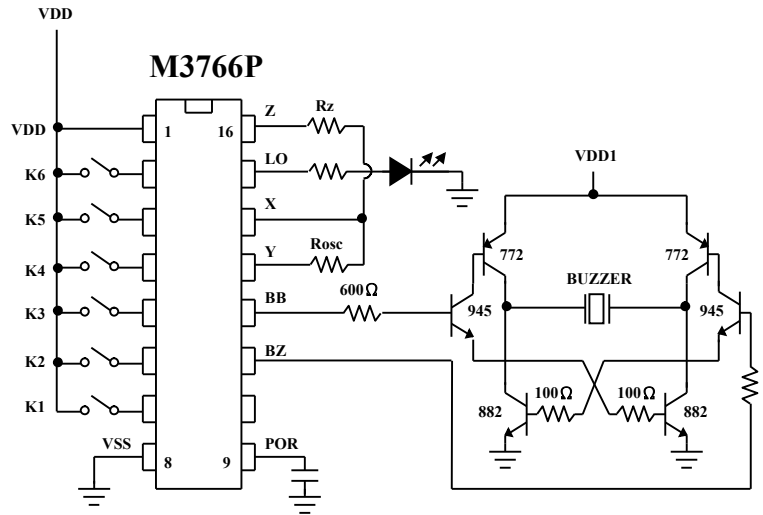
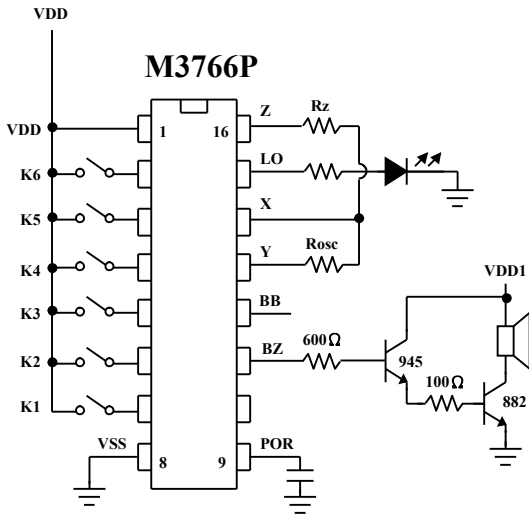
* All specs and applications shown above subject to change without prior notice.
(以上電路及規格僅供參考,本公司得逕行修正)



HORN/SIREN
WITH SOFT CHIRP
6 ALARM SOUNDS

警報喇叭專用
附啣聲
6種警報聲 IC

SIREN	
M3765/M3766	



* All specs and applications shown above subject to change without prior notice.
(以上電路及規格僅供參考,本公司得逕行修正)