




SIREN	
M3740B	

4 SIREN

4 種警報聲 IC

**FEATURES 功能敘述**

- 4 programmable sound outputs.
- LED blinking output.
- Priority : K1>K2>K3>K4.

KEY	M3740B
K1	ALARM
K2	POLICE
K3	FIRE
K4	AMBULANCE

**APPLICATION 產品應用**

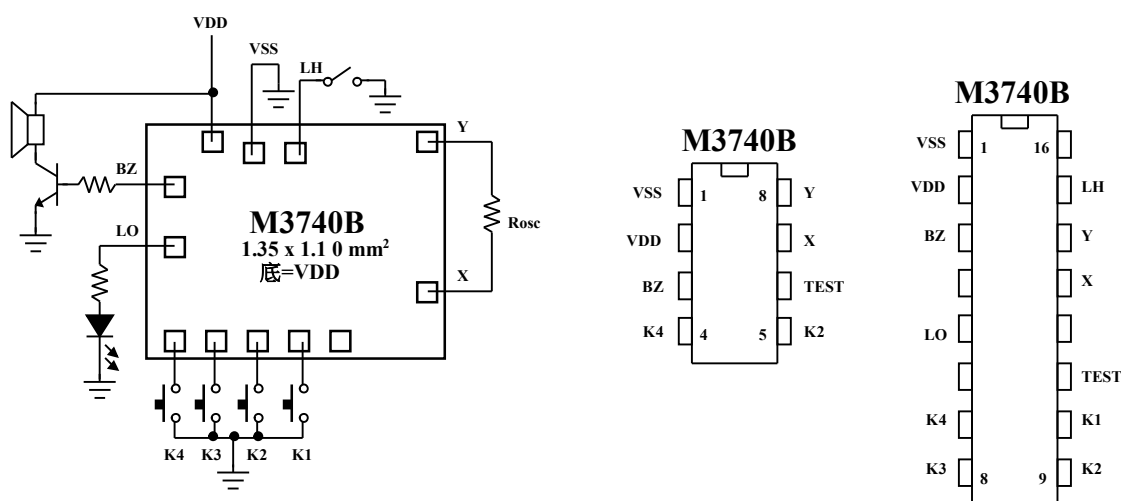
- Alarm system, toys etc..

**ELECTRICAL CHARACTERISTICS 電氣規格**

( @V<sub>DD</sub>=3V unless otherwise specified )

Characteristics	Sym.	Min.	Typ.	Max.	Unit	REMARKS
工作電壓 Operating Voltage	V <sub>DD</sub>	—	3	4.5	V	
工作電流 Operating Current	I <sub>OP</sub>	—	0.1	0.5	mA	No load
靜態電流 Quiescent Current	I <sub>SB</sub>	—	1	5	μA	
推動電流 BZ Driving Current	I <sub>O</sub>	1	—	—	mA	@V <sub>DS</sub> =1V
推動電流 LO Driving Current	I <sub>OL</sub>	2	—	—	mA	@V <sub>DS</sub> =1.2V
振盪頻率 Oscillator Frequency	F <sub>OSC</sub>	—	128	—	KHz	External±30%, Rosc=130KΩ
工作溫度 Operating Temperature	Temp.	0	25	60	°C	


**APPLICATION DIAGRAM 參考電路圖**



\*All specs and applications shown above subject to change without prior notice.

( 以上電路及規格僅供參考,本公司得逕行修正 )

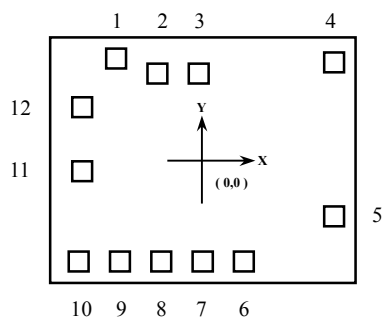


SIREN	
M3740B	

4 SIREN

4 種警報聲 IC

**PAD ASSIGNMENT & POSITION**



UNIT : um

No.	NAME	X	Y
1	VDD	-347.25	426.25
2	VSS	-177.25	371.25
3	LH	-5.25	371.25
4	X	550	412.5
5	Y	550	-226.75
6	TEST	183.5	-427.5
7	K1	11.5	-427.5
8	K2	-160.5	-427.5
9	K3	-332.5	-427.5
10	K4	-504.5	-427.5
11	LO	-496.5	-50.25
12	BZ	-496.5	218.25

\* CHIP SIZE ~ 1.35 x 1.10 mm<sup>2</sup>

\* IC substrate should be connected to VDD in PCB ( PCB 上 IC 必須接 VDD ).

\*All specs and applications shown above subject to change without prior notice.

( 以上電路及規格僅供參考,本公司得逕行修正 )