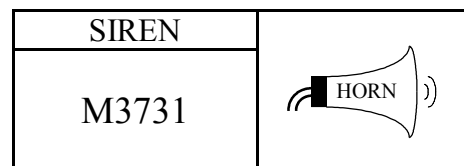




4 SIRENS & MACHINE GUN
2 LEDS BLINKING

带灯 4 种警报声 IC



FEATURES 功能叙述

- One-shot / Level-hold option.
- 2 LEDS BLINKING.
- PS : Sequence input key.
- MOTOR : Active High.

KEY	SOUND LIST	M3731	M3731-1	M3731-3
K1	FIRE ENGINE SIREN	1 Time	2 Time	2 Time
K2	AMBULANCE SIREN	2 Time	16 Time	16 Time
K3	POLICE SIREN	2 Time	16 Time	16 Time
K4	MACHINE GUN	2 Time	2 Time	2 Time
PS	SEQUENCE KEY			
LED	(@VDD=3V Typ.)	2mA	2ma	6mA
MOTOR		NO	NO	YES

APPLICATION 产品应用

- Toys, Key chain, Alarm system, Musical instrument.

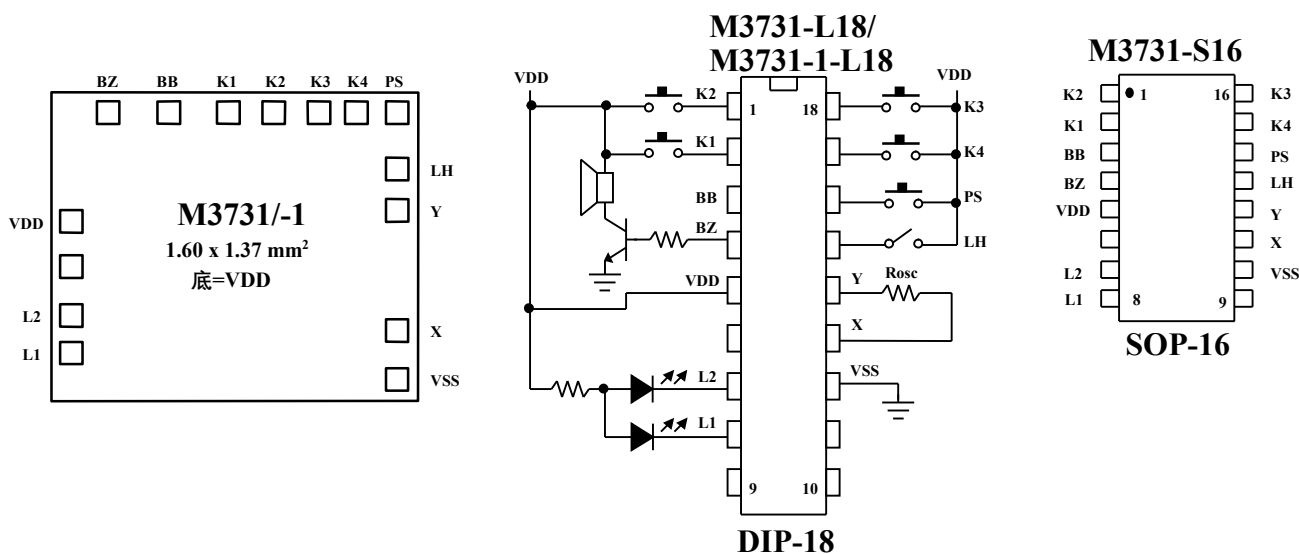
ELECTRICAL CHARACTERISTICS 电气规格

(@V_{DD}=3V unless otherwise specified)

Characteristics	Sym.	Min.	Typ.	Max.	Unit	REMARKS
工作电压 Operating Voltage	V _{DD}	—	3	4.5	V	
工作电流 Operating Current	I _{OP}	—	0.1	0.5	mA	No load
静态电流 Quiescent Current	I _{SB}	—	1	5	μ A	
推动电流 BZ Driving Current	I _O	1	—	—	mA	@V _{DS} =1V
推动电流 LO Driving Current	I _{OL}	2	—	—	mA	@V _{DS} =1.2V
振荡频率 Oscillator Frequency	F _{OSC}	—	100	—	KHz	External±30%, Rosc=180KΩ
工作温度 Operating Temperature	Temp.	0	25	60	C°	

APPLICATION DIAGRAM 参考电路图

(A) M3731/M3731-1




*All specs and applications shown above subject to change without prior notice.

(以上电路及规格仅供参考,本公司得行修正)



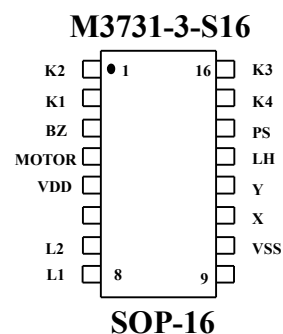
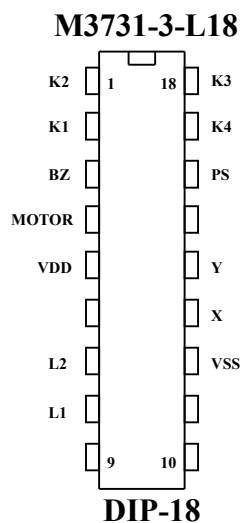
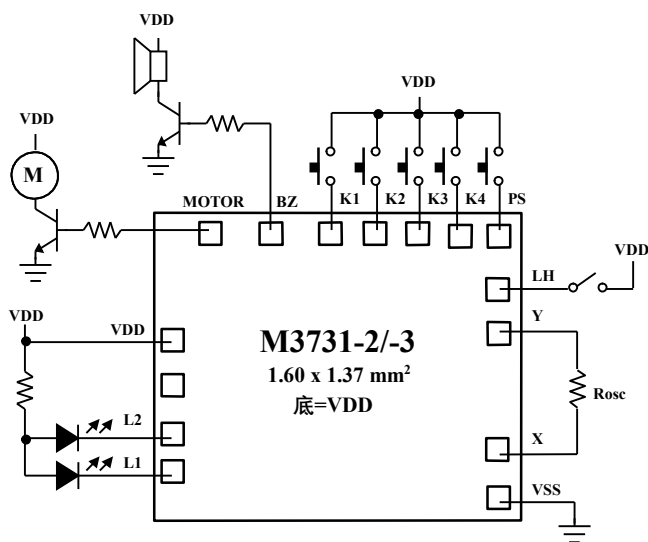
4 SIRENS & MACHINE GUN
2 LEDS BLINKING

帶燈 4 種警報聲 IC

SIREN	
M3731	

APPLICATION DIAGRAM 参考电路图

(B) M3731-3




*All specs and applications shown above subject to change without prior notice.

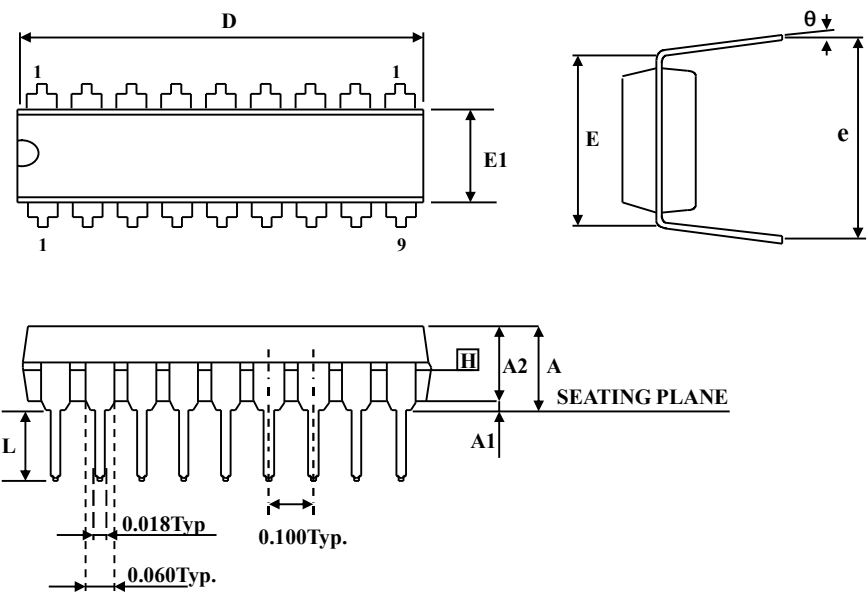
(以上电路及规格仅供参考,本公司得径行修正)



4 SIRENS & MACHINE GUN
2 LEDS BLINKING

帶燈 4 種警報聲 IC

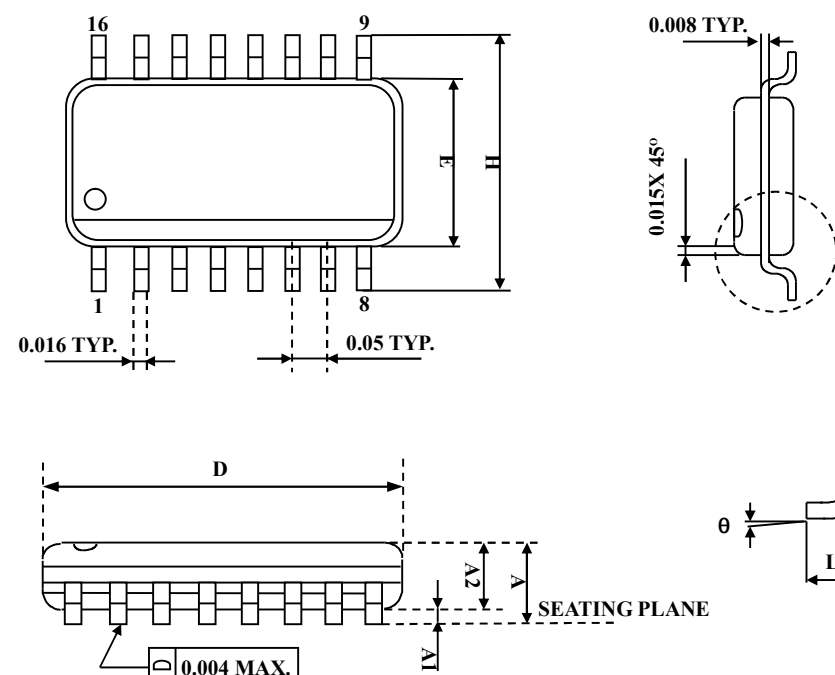
SIREN	
M3731	



SYMBOLS	MIN.	NOM.	MAX.
A	-	-	0.210
A1	0.015	-	-
A2	0.125	0.130	0.135
D	0.880	0.900	0.920
E	0.300 BSC.		
E1	0.245	0.250	0.255
L	0.115	0.130	0.150
e	0.335	0.355	0.375
θ	0	7	15

UNIT : INCH

DIP-18
(300 mil)



SYMBOLS	MIN.	MAX.
A	0.053	0.069
A1	0.004	0.010
D	0.386	0.394
E	0.150	0.157
H	0.228	0.244
L	0.016	0.050
θ	0	8

Unit : INCH

SOP-16
(150 mil)