




SIREN	
M3720	

1 KEY 1 SOUND

1 鍵 1 音效 IC

FEATURES 功能敘述

- LED flash : 4Hz 1/2 Duty.
- Speaker application.

P/N	SOUND
M3720-3	SIREN II 警報聲 II
M3720-4	POLICE CAR 警車聲
M3720-6	SIREN I 警報聲 I
M3720-9	AMBULANCE 救護車聲

APPLICATION 產品應用

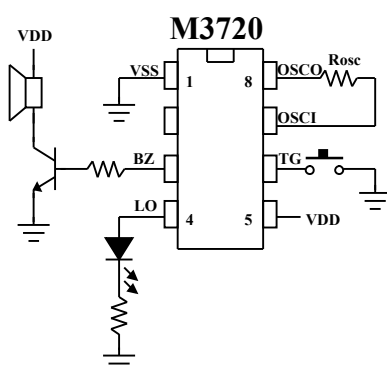
- Siren system, Home/Car alarm etc..

ELECTRICAL CHARACTERISTICS 電氣規格

(@V_{DD}=3V unless otherwise specified)

Characteristics	Sym.	Min.	Typ.	Max.	Unit	REMARKS
工作電壓 Operating Voltage	V _{DD}	—	3	4.5	V	
工作電流 Operating Current	I _{OP}	—	0.1	0.5	mA	No load
靜態電流 Quiescent Current	I _{SB}	—	1	5	μA	
推動電流 LO Driving Current	I _{OL}	2	—	—	mA	@V _{DS} =1.2V
振盪頻率 Oscillator Frequency	F _{OSC}	—	128	—	KHz	External±10% R _{osc} =120KΩ
工作溫度 Operating Temperature	Temp.	0	25	60	°C	

APPLICATION DIAGRAM 參考電路圖



*All specs and applications shown above subject to change without prior notice.

(以上電路及規格僅供參考,本公司得逕行修正)



SIREN	
M3720	

1 KEY 1 SOUND

1 鍵 1 音效 IC

PACKAGE OUTLINE

SYMBOLS	MIN	NOR.	MAX
A	—	—	0.210
A1	0.015	—	—
A2	0.125	0.130	0.135
D	0.355	0.365	0.400
E	0.300 BSC.		
E1	0.245	0.250	0.255
L	0.115	0.130	0.150
e	0.335	0.355	0.375
θ	0	7	15

Unit : INCH

DIP-8

SYMBOLS	MIN	MAX
A	0.053	0.069
A1	0.004	0.010
A2		0.059
D	0.189	0.196
E	0.150	0.157
H	0.228	0.244
L	0.016	0.050
θ	0	8

Unit : INCH

SOP-8