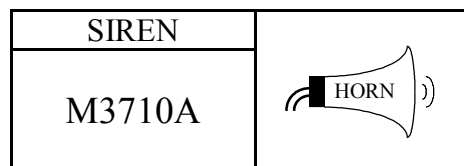




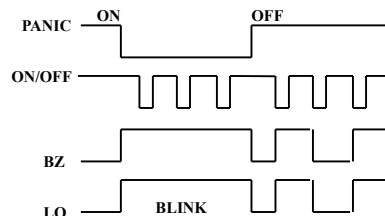
ON/OFF
SIREN

警报声 IC - 1 声



FEATURES 功能叙述

- Alarm siren sound.
- ON/OFF : toggle switch.
- PANIC : continuous.
- LO : 2 Hz LED flash output.



APPLICATION 产品应用

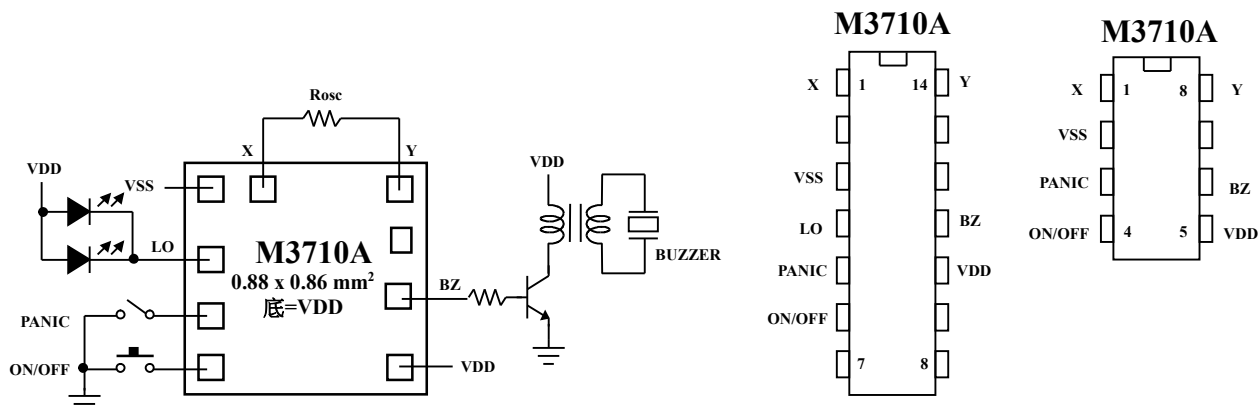
- Alarm system.

ELECTRICAL CHARACTERISTICS 电气规格

(@V_{DD}=3V unless otherwise specified)

Characteristics	Sym.	Min.	Typ.	Max.	Unit	REMARKS
工作电压 Operating Voltage	V _{DD}	—	3	3.5	V	
工作电流 Operating Current	I _{OP}	—	0.1	0.5	mA	No load
静态电流 Quiescent Current	I _{SB}	—	1	5	μ A	
推动电流 BZ Driving Current	I _O	10	20	—	mA	@V _{DS} =1.2V
推动电流 LO Driving Current	I _{OL}	2	—	—	mA	@V _{DS} =1V
振荡频率 Oscillator Frequency	F _{OSC}	—	200	—	KHz	External±30%, Rosc=120KΩ
工作温度 Operating Temperature	Temp.	0	25	60	C°	

APPLICATION DIAGRAM 参考电路图




*All specs and applications shown above subject to change without prior notice.

(以上电路及规格仅供参考,本公司得径行修正)

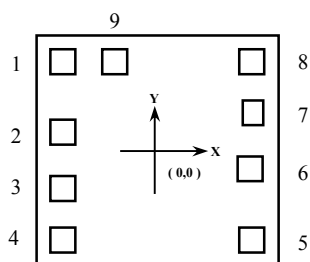


ON/OFF
SIREN

警报声 IC - 1 声

SIREN	
M3710A	

ASSIGNMENT & POSITION



UNIT : um

No.	NAME	X	Y
1	VSS	-316	303
2	LO	-316	64.5
3	PANIC	-316	-129
4	ON/OFF	-316	-306
5	VDD	316.25	-306
6	BZ	316.25	-66.5
7	TEST	316.25	131.75
8	Y	316.25	303
9	X	-139	303

* CHIP SIZE ~ 0.88 x 0.86 mm²

* IC substrate should be connected to VDD in PCB (PCB 上 IC 必须接 VDD)