



WITH 7 LEDS
8 SOUNDS 8 KEYS

8 音效 8 键 7 LEDS IC



FEATURES 功能叙述

- 8 different electronic sounds.
- LED flash rate : 3 Hz
Duty cycle : 1/6.
- Power on LED flash L1→L7.

SOUND	
K1	SIREN
K2	POLICE CAR
K3	TV GAME
K4	FIRE ENGINE
K5	DING DONG
K6	BI-BI-BI-BI-
K7	DING DING
K8	GUN

APPLICATION 产品应用

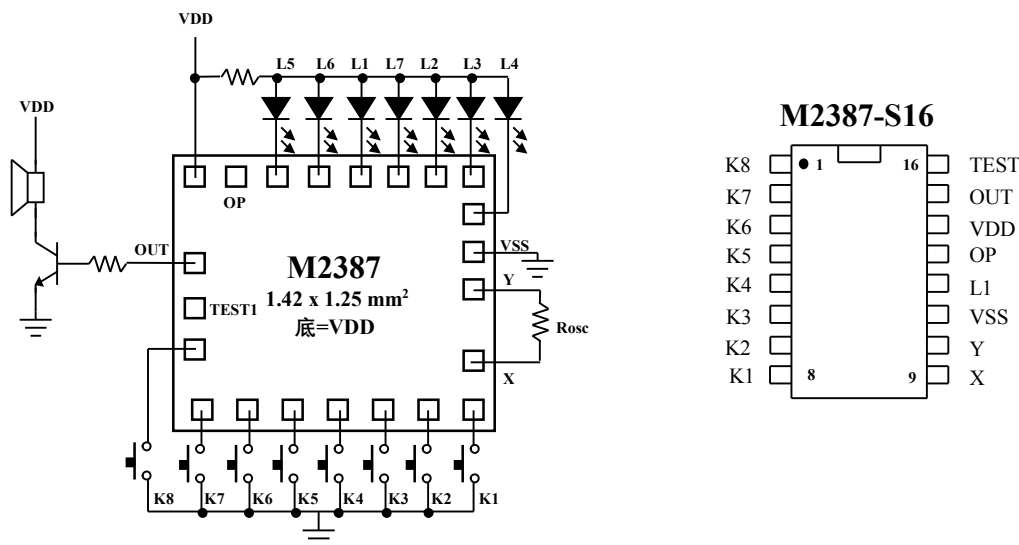
- Alarm system, Toys, Key chain.

ELECTRICAL CHARACTERISTICS 电气规格

(@V_{DD}=3V unless otherwise specified)

Characteristics	Sym.	Min.	Typ.	Max.	Unit	REMARKS
工作电压 Operating Voltage	V _{DD}	—	3	4.5	V	
工作电流 Operating Current	I _{OP}	—	0.1	0.5	mA	No load
静态电流 Quiescent Current	I _{SB}	—	1	5	μ A	
推动电流 BZ Driving Current	I _O	1	—	—	mA	@V _{DS} =1V
推动电流 LO Driving Current	I _{OL}	6	—	—	mA	@V _{DS} =1.2V
振荡频率 Oscillator Frequency	F _{OSC}	—	110	—	KHz	External±30% TOL, Rosc=270KΩ
工作温度 Operating Temperature	Temp.	0	25	60	C°	

APPLICATION DIAGRAM 参考电路图



*All specs and applications shown above subject to change without prior notice.

(以上电路及规格仅供参考,本公司得行修正)



WITH 7 LEDS
8 SOUNDS 8 KEYS

8 音效 8 键 7 LEDS IC

SOUND EFFECT	
M2387	

PACKAGE OUTLINE

16-Pin Plastic SOP

